

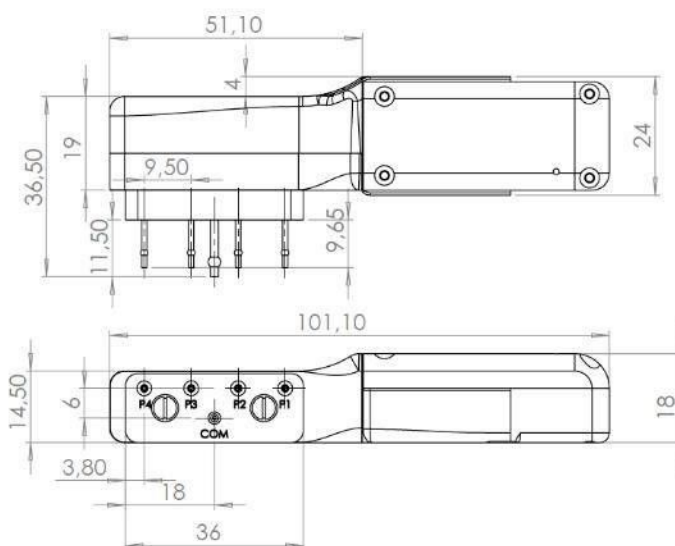


4xPDIFF-WS

4 CHANNEL DIFFERENTIAL PRESSURE SENSOR WIRELESS FOR GenWM

Slave/Sensor

Range	-350...+350 mbar
Pressure resolution	0.1 mbar
Pressure accuracy	± 0.5% FS @25°C ± 1% FS 5 to 85°C
Internal temp. resolution	0.5 degC
Sampling freq.	1 to 100Hz
Receiver sensitivity	868 / 902 / 920 MHz
RF Emission Power	-112 dBm 0 to 14 dBm (1 to 20mW) (Default setting 14dBm)
Battery Rating Voltage	3.6V
Battery capacity @25°C	750 mAh
Average current consumption @25°C	Idle mode : 0.6 mA Run mode : 12mA @ 10Hz, 17mA @ 50Hz, 22mA @ 100Hz,
Dimension	101x36x18 mm
Material	PLASTIC + Aluminum
Weight	55g
Box protection / IP rate	IP64
Vibration test	20Gpp 5'
Shock	500 G
Operating temp	5 to +85°C
Storage temp	-40 to +85°C



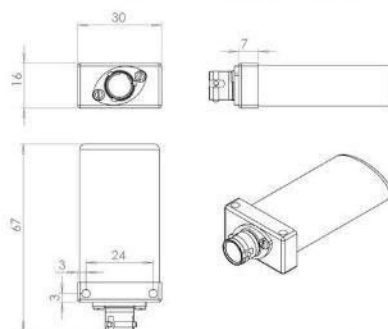
CAN Bus	2.0A or 2.0B
Output data	<i>Calibrated temperature :</i> 2 bytes per channel (signed integer) Resolution: 0.1°C / bit <i>Sensor battery voltage:</i> 1 byte per sensor. Format: Vbat = 2.5 + (0.01 * raw) <i>Sensor internal temperature:</i> 1 byte per sensor Resolution:0.5°C/bit Programmable (Baudrate/Emission Freq./IDs)

Parameters

Supply voltage	6 to 16V
Supply current	45 mA
Dimensions	66x30x16 mm
Operating temp	-20 to + 85°C
Storage temp	-20 to + 85°C

PIN	Function
1	Supply
2	0 V
3	CAN Low
4	CAN High
5	Reserved, do not connect
6	Reserved, do not connect

Connector : 8STA00406PN
Mating connector : 8STA60406SN



Master/Receiver