



PANEL MOUNT Pressure Sensor AST4200

Overview

The AST4200 series offers the same features as the AST4000, but uses a unique pressure port design that enables direct mounting to panels without the use of an adapter.

Benefits

- High Strength Stainless Steel Construction
- No Oil, Welds or Internal O-rings
- Wide Operating Temperature
- Pressures up to 10,000 PSI
- Low Static and Thermal Errors
- Unparalleled Price and Performance
- Compatible with Wide Variety of Liquids and Gases
- EMI/RFI Protection
- UL/cUL 508 Approved (with housing)

Applications

- Industrial OEM Equipment
- Water Management
- Pneumatics
- Hydrogen Storage
- Sub Sea Pressure
- HVAC/R Equipment
- Control Panels
- Hydraulic Systems
- Data Loggers

Environmental Data

Ambient Temperature: 25°C (77°F) (Unless otherwise specified)

Operating Ambient	-40 to 85°C (-40 to 185°F)
Storage	-40 to 100°C (-40 to 212°F)

Shock, Vibration & Ingress Protection (IP)

Standard	Description	Test Value
EN 60067-2-27	Shock Test	500m/s ² , 6ms, half sine-wave, 6 shocks (3/direction), horizontal and vertical axis, 12 total shocks
EN 60068-2-6	Sinusoidal Vibration	5-25 Hz, 2mm, 25-150 Hz, 50m/s, Sweep rate: 1 octave/min, Duration: 24 hours/axis (48 hours total), horizontal and vertical axis
EN 60068-2-64	Random Vibration	10-2000 Hz, vibration level: 0.0314 (m/s ²) ² /Hz, 24 hrs/axis (48 hrs total), 2 directions: horizontal and vertical
IEC 60068-2-32	Drop Test	Drop of 1 meter to floor made of concrete. Dropped twice on the threaded end and two times perpendicular to the threaded end.
IP-66	Ingress Protection	Dust-tight, protected against powerful water jets

Performance

Ambient Temperature: 25°C (77°F) (Unless otherwise specified)

Parameters	MIN	TYP	MAX	UNITS	NOTES
Accuracy	-0.5		+0.5	%Span	1
Zero Error	-1.0		+1.0	%Span	2
Span Error	-1.5		+1.5	%Span	3
Thermal Error, Zero	-1.5		+1.5	%Span	4
Thermal Error, Span	-1.5		+1.5	%Span	5
Stability (1 year)		±0.25		%Span	
Proof Pressure		2X Rated Pressure		PSI	6
Burst Pressure		5X Rated Pressure or 20,000 (whichever is less)		PSI	7
Compensated Temp. Range		0 - 55° (32 to 132°)		°C (°F)	

Electrical Data

Model	AST4200		
Output	4-20mA	1-5V, 1-6V	0.5-4.5V Ratiometric
Excitation	10-28VDC	10-28VDC	5.0 ± 0.5VDC
Output Impedance	> 10k Ω	< 100 Ω	< 100 Ω
Current Consumption	-	<10mA	<10mA
Output Noise	-	<2mV RMS	<2mV RMS
Output Load	0-800Ω	10k Ω Min.	10k Ω Min.
Reverse Polarity Protection	Yes	Yes	Yes
Bandwidth	DC-250 Hz	DC-1kHz	DC-1kHz

Notes

1. The maximum deviation from a best fit straight line (BFSL) fitted to the output measured over the pressure range at 25°C. Includes all errors due to pressure non-linearity, hysteresis, and non-repeatability. Span is the algebraic difference between full scale output and zero pressure offset.
2. The maximum variation from the ideal offset measured at 25°C.
3. The maximum variation from the ideal full-scale span measured at 25°C.
4. The maximum variation of offset within the compensated temperature range relative to 25°C.
5. The maximum variation of full-scale span within the compensated temperature range relative to 25°C.
6. The maximum pressure that can be safely applied to the product for it to remain in specification once pressure is returned to the operating pressure range.
7. The maximum pressure that can be applied without causing escape of the pressure media.

Dimensions & Electrical Connection

Unless otherwise specified, all dimensions are in inches

EC + SH + PC = Total Nominal Product Length

EC = Electrical Connector
 SH = Sensor Housing
 PC = Process Connection
 V = Voltage Supply
 N/C = Not Connected
 WP = Wide Pin
 S = Signal

Electrical Connectors Option Codes

Cable

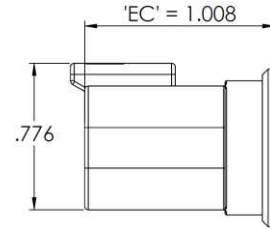
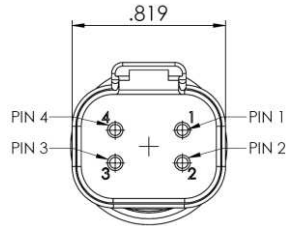
A 2ft (0.6m)	B 4ft (1.2m)	C 6ft (1.8m)	D 10ft (3m)															
<table border="1" style="margin: auto;"> <thead> <tr> <th>Color</th> <th>3 Wire Voltage</th> <th>4-20mA</th> </tr> </thead> <tbody> <tr> <td>Green</td> <td>N/C</td> <td>N/C</td> </tr> <tr> <td>Black</td> <td>GND</td> <td>-V</td> </tr> <tr> <td>Red</td> <td>+V</td> <td>+V</td> </tr> <tr> <td>White</td> <td>S</td> <td>N/C</td> </tr> </tbody> </table>		Color	3 Wire Voltage	4-20mA	Green	N/C	N/C	Black	GND	-V	Red	+V	+V	White	S	N/C		
Color	3 Wire Voltage	4-20mA																
Green	N/C	N/C																
Black	GND	-V																
Red	+V	+V																
White	S	N/C																

E DIN 43650C 8.0mm (Mini-DIN)	F Packard Metripack, 150	I DIN 43650A 18.0mm (Big- DIN)	K Deutsch, DT04-3P																																																						
<table border="1" style="margin: auto;"> <thead> <tr> <th>Pin</th> <th>3 Wire Voltage</th> <th>4-20mA</th> </tr> </thead> <tbody> <tr> <td>1</td> <td>S</td> <td>N/C</td> </tr> <tr> <td>2</td> <td>GND</td> <td>+V</td> </tr> <tr> <td>3</td> <td>+V</td> <td>-V</td> </tr> <tr> <td>WP</td> <td>N/C</td> <td>N/C</td> </tr> </tbody> </table>	Pin	3 Wire Voltage	4-20mA	1	S	N/C	2	GND	+V	3	+V	-V	WP	N/C	N/C	<table border="1" style="margin: auto;"> <thead> <tr> <th>Pin</th> <th>3 Wire Voltage</th> <th>4-20mA</th> </tr> </thead> <tbody> <tr> <td>A</td> <td>GND</td> <td>-V</td> </tr> <tr> <td>B</td> <td>+V</td> <td>+V</td> </tr> <tr> <td>C</td> <td>S</td> <td>N/C</td> </tr> </tbody> </table>	Pin	3 Wire Voltage	4-20mA	A	GND	-V	B	+V	+V	C	S	N/C	<table border="1" style="margin: auto;"> <thead> <tr> <th>Pin</th> <th>3 Wire Voltage</th> <th>4-20mA</th> </tr> </thead> <tbody> <tr> <td>1</td> <td>+V</td> <td>+V</td> </tr> <tr> <td>2</td> <td>GND</td> <td>-V</td> </tr> <tr> <td>3</td> <td>S</td> <td>N/C</td> </tr> <tr> <td>WP</td> <td>N/C</td> <td>N/C</td> </tr> </tbody> </table>	Pin	3 Wire Voltage	4-20mA	1	+V	+V	2	GND	-V	3	S	N/C	WP	N/C	N/C	<table border="1" style="margin: auto;"> <thead> <tr> <th>Pin</th> <th>3 Wire Voltage</th> <th>4-20mA</th> </tr> </thead> <tbody> <tr> <td>1</td> <td>+V</td> <td>+V</td> </tr> <tr> <td>2</td> <td>GND</td> <td>-V</td> </tr> <tr> <td>3</td> <td>S</td> <td>N/C</td> </tr> </tbody> </table>	Pin	3 Wire Voltage	4-20mA	1	+V	+V	2	GND	-V	3	S	N/C
Pin	3 Wire Voltage	4-20mA																																																							
1	S	N/C																																																							
2	GND	+V																																																							
3	+V	-V																																																							
WP	N/C	N/C																																																							
Pin	3 Wire Voltage	4-20mA																																																							
A	GND	-V																																																							
B	+V	+V																																																							
C	S	N/C																																																							
Pin	3 Wire Voltage	4-20mA																																																							
1	+V	+V																																																							
2	GND	-V																																																							
3	S	N/C																																																							
WP	N/C	N/C																																																							
Pin	3 Wire Voltage	4-20mA																																																							
1	+V	+V																																																							
2	GND	-V																																																							
3	S	N/C																																																							

Electrical Connectors Option Codes (Cont'd)

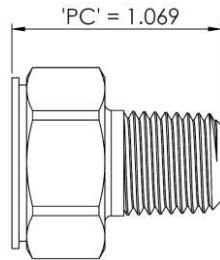
**Z
Deutsch, DT04-4P**

Pin	3 Wire Voltage	4-20mA
1	+V	+V
2	GND	-V
3	S	N/C
4	N/C	N/C

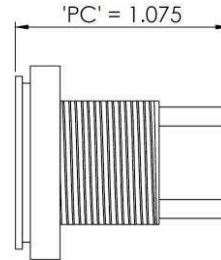


Pressure Port Option Codes

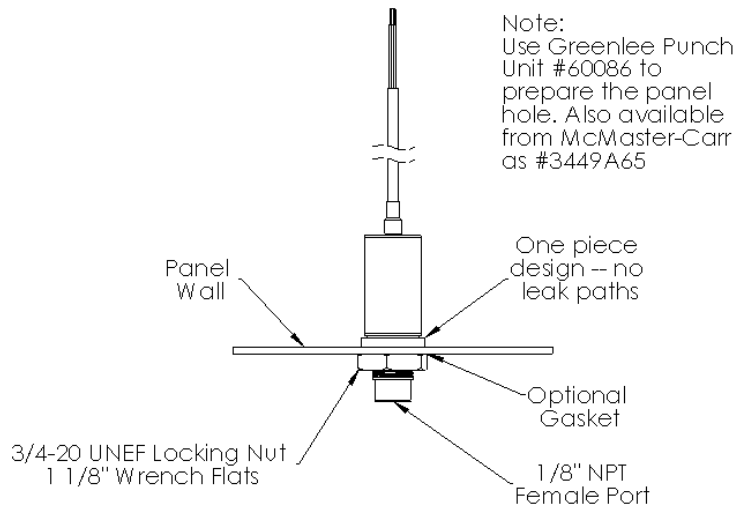
**A
1/4 NPT Male**



**J
1/8 NPT Female**



Panel Mount Connection Diagram



Legend	
✓	Standard Available
X	Not Available

Available Process Connection, Material Configurations & Pressure Codes

17-4PH PSI

Pressure Range	Pressure Range Code	PSI Unit	Process Connection Code	
			A	J
-14.7 - 25	V0025	P	✓	✓
-14.7 - 50	V0050	P	✓	✓
-14.7 - 100	V0100	P	✓	✓
-14.7 - 150	V0150	P	✓	✓
-14.7 - 200	V0200	P	✓	✓
-14.7 - 250	V0250	P	✓	✓
-14.7 - 500	V0500	P	✓	✓
0 - 25	00025	P	✓	✓
0 - 50	00050	P	✓	✓
0 - 100	00100	P	✓	✓
0 - 150	00150	P	✓	✓
0 - 200	00200	P	✓	✓
0 - 250	00250	P	✓	✓
0 - 500	00500	P	✓	✓
0 - 1,000	01000	P	✓	✓
0 - 2,500	02500	P	✓	✓
0 - 5,000	05000	P	✓	✓
0 - 7,500	07500	P	✓	✓
0 - 10,000	10000	P	✓	✓

17-4PH Bar

Pressure Range	Pressure Range Code	BAR Unit	Process Connection Code	
			A	J
-1 to 2	V0002	B	✓	✓
-1 to 5	V0005	B	✓	✓
-1 to 7	V0007	B	✓	✓
-1 to 10	V0010	B	✓	✓
-1 to 20	V0020	B	✓	✓
0-2	00002	B	✓	✓
0-5	00005	B	✓	✓
0-7	00007	B	✓	✓
0-10	00010	B	✓	✓
0-20	00020	B	✓	✓
0-35	00035	B	✓	✓
0-50	00050	B	✓	✓
0-100	00100	B	✓	✓
0-250	00250	B	✓	✓
0-350	00350	B	✓	✓
0-500	00500	B	✓	✓
0-700	00700	B	✓	✓

316L PSI

INDUSTRIAL OEM

AST4200 Pressure Transmitter

Pressure Range	Pressure Range Code	PSI Unit	Process Connection Code	
			A	J
-14.7 - 25	V0025	P	✓	✓
-14.7 - 50	V0050	P	✓	✓
-14.7 - 100	V0100	P	✓	✓
-14.7 - 150	V0150	P	✓	✓
-14.7 - 200	V0200	P	✓	✓
-14.7 - 250	V0250	P	✓	✓
-14.7 - 500	V0500	P	✓	✓
0 - 25	00025	P	✓	✓
0 - 50	00050	P	✓	✓
0 - 100	00100	P	✓	✓
0 - 150	00150	P	✓	✓
0 - 200	00200	P	✓	✓
0 - 250	00250	P	✓	✓
0 - 500	00500	P	✓	✓
0 - 1,000	01000	P	✓	✓
0 - 2,500	02500	P	✓	✓
0 - 5,000	05000	P	✓	✓
0 - 7,500	07500	P	✓	✓
0 - 10,000	10000	P	✓	✓

316L Bar

Pressure Range	Pressure Range Code	BAR Unit	Process Connection Code	
			A	J
-1 to 2	V0002	B	✓	✓
-1 to 5	V0005	B	✓	✓
-1 to 7	V0007	B	✓	✓
-1 to 10	V0010	B	✓	✓
-1 to 20	V0020	B	✓	✓
0-2	00002	B	✓	✓
0-5	00005	B	✓	✓
0-7	00007	B	✓	✓
0-10	00010	B	✓	✓
0-20	00020	B	✓	✓
0-35	00035	B	✓	✓
0-50	00050	B	✓	✓
0-100	00100	B	✓	✓
0-250	00250	B	✓	✓
0-350	00350	B	✓	✓
0-500	00500	B	✓	✓
0-700	00700	B	✓	✓

*See Ordering Information for list of options.

Ordering Information

AST4200

J

00100

P

4

A

0

000

Process Connection

A= 1/4" NPT Male

J= 1/8" NPT Female

Pressure Range

Insert Pressure Range Code (see table for availability)

Pressure Unit

B= Bar P= PSI

Output

1= 0.5-4.5V ratiometric

3= 1-5V

4= 4-20mA (2 wire loop powered)

6= 1-6V

Electrical

A= 2 ft. (0.6m)

B= 4 ft. (1.2m)

C= 6 ft. (1.8m)

D= 10 ft. (3.0m)

E= Mini DIN 43650

F= Packard Metripack 150 3-Pin

I= DIN 43650A

K= Deutsch DT04-3 Pin

Z= Deutsch DT04-4 Pin

Wetted Material

0= 17-4PH 1= 316L

Options

000= No Options

The information given herein, including drawings, illustrations and schematics which are intended for illustration purposes only, is believed to be reliable. However, TE Connectivity makes no warranties as to its accuracy or completeness and disclaims any liability in connection with its use. TE Connectivity's obligations shall only be as set forth in TE Connectivity's Standard Terms and Conditions of Sale for this product and in no case will TE Connectivity be liable for any incidental, indirect or consequential damages arising out of the sale, resale, use or misuse of the product. Users of TE Connectivity products should make their own evaluation to determine the suitability of each such product for the specific application.

中国大陆

西安鑫源宇通电子科技有限公司

陕西省西安市高新区锦业路70号航

天恒星园区1号厂房一层南

Tel: 400-780-9688

sales@senstechxyz.com**中国香港**

深大实业有限公司

香港新界沙田安平街6号新贸易

中心B座13楼06室

Tel: +86 17792099916

info@caltropinstruments.com**新加坡**

深大实业有限公司

香港新界沙田安平街6号新贸易

中心B座13楼06室

Tel: +86 17792099919

info@senstechxyz.com