



AXISENSE-1 SERIES USB TILT SENSOR

SPECIFICATIONS

- Single axis tilt sensor
- Measurement range $\pm 180^\circ$
- High resolution
- Good accuracy
- Fast response time
- Easy to use software

FEATURES

- USB powered
- User defined main and 2nd axis
- Up to ± 90 degree tolerance on 2nd axis
- Digital signal processing includes
 - filter (e.g. vibration damping)
 - temperature compensation
- 14-bit resolution
- 100 Hz refresh rate
- -40 °C to 85 °C temperature range
- Accuracy typically
 - 0.6° | -40 °C to 85 °C
 - 0.2° | 25 °C

APPLICATIONS

- Platform levelling
- Tilt monitoring
- Tilt alarm

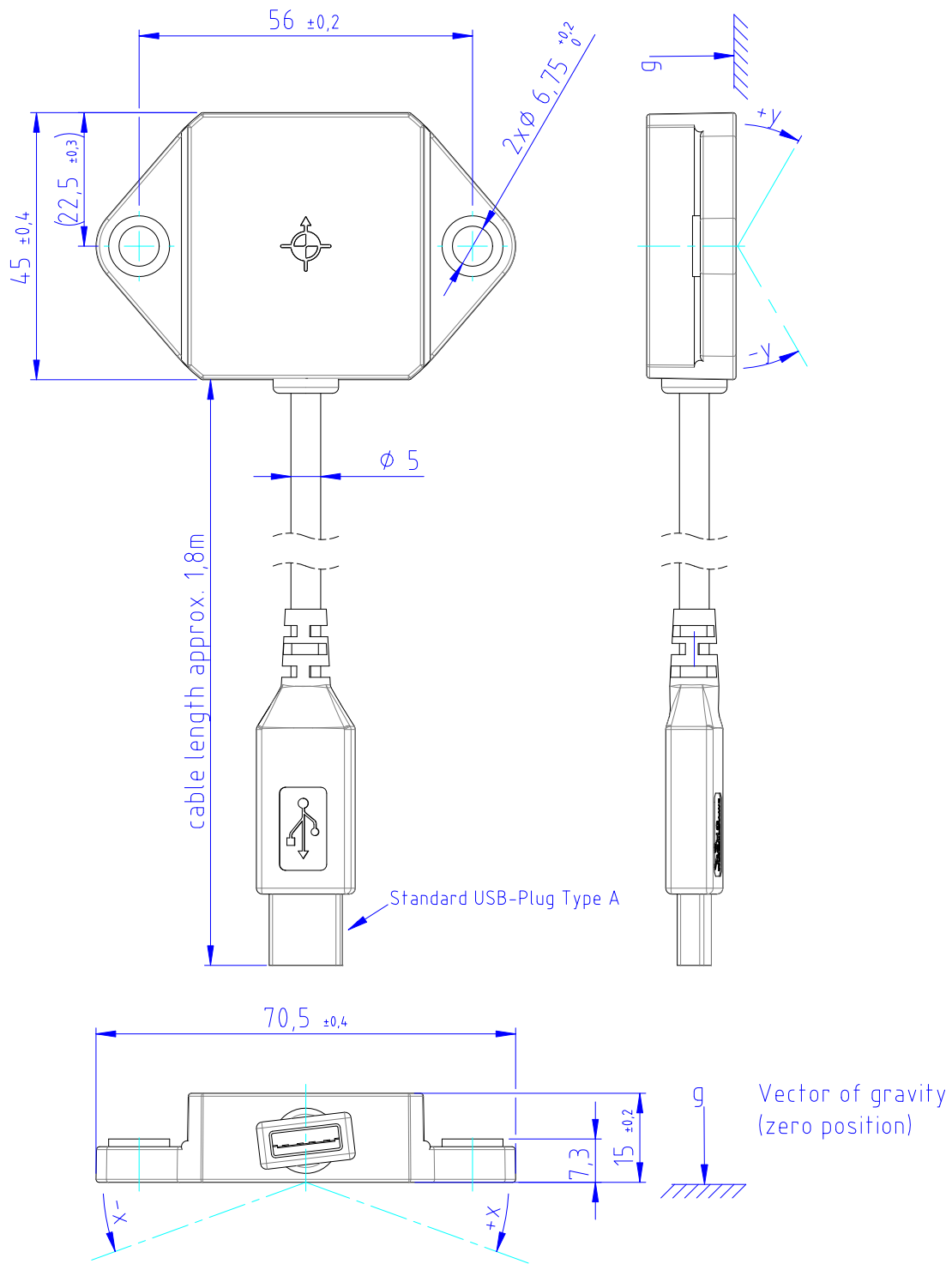
The **AXISENSE-1 MEMS-Series USB tilt sensor** single axis is well suited for test and measurement purposes.

A fast response time, good accuracy and high resolution are its key features. It uses a digital signal processing including temperature compensation to optimize performance.

The user configurable filter allows to find a good compromise between response time and a stable output in noisy environments, e.g. if vibrations are an issue.

Easy to use software for Microsoft Windows is included. Also the sensor can be accessed using a virtual COM port for easy integration.

Dimensions [mm]



PARAMETERS

Parameter	Value	Comment
Range	±180°	Single axis sensor; other axis has to be kept in a ±90° range
Accuracy, typ.	0.6°	T= -40 °C to +85 °C
Accuracy, typ.	0.2°	T= 25 °C
Resolution	14 bit	
Refresh rate	100 Hz	Internal processing
Startup time	<1 s	Valid output signal
Supply voltage	5 V	Powered via USB
Output	X- or Y-angles	Via USB virtual COM port on Host PC
UART	Baud rate Settings	57600 8 data bits, 1 stop bit, no parity
Connector	Standard USB Plug Type A	
Cable	Length of cable approx. 1.8 m outer diameter Ø5 mm	
Operation temperature range	-40 °C to 85 °C	
Storage temperature range	-40 °C to 85 °C	
Weight, typ.	115 g	Including cable & connector
Dimensions	70.5 mm x 45 mm x 15 mm	W x D x H

Applicable **Mounting Recommendations for Sensor Modules of AXISENSE-Series** can be downloaded from te.com Resources section as Document Number 114-160013.

Comments

A software for an easy use of the sensor is supplied with the hardware. It includes a setup wizard for quick and simple sensor configuration (PC with OS Microsoft Windows XP® or later is required).

This software is also provided via web download, please visit our company website to check for updates.

AXISENSE-1 SERIES USB TILT SENSOR

FUNCTION VIEW



This AXISENSE-1 MEMS series USB tilt sensor is designed for floor mount application.

A special feature of the USB version is, that it has a full dual axis output.

The user can define on his own, which of the two sensor axes to use as main and which axis to use as secondary axis.

The main axis gives unique output over $\pm 180^\circ$ ($0 - 360^\circ$) while the other axis has to be kept in a $\pm 90^\circ$ range.

ORDERING INFORMATION

PART NUMBER

AXISENSE-1-022
(TCPN: G-NSDOG1-022)

SHORT DESCRIPTION

Single axis tilt sensor, floor mount, **angular range $\pm 180^\circ$** ,
USB device incl. Software

For other orientations, measurement ranges or supply voltages please contact TE Connectivity sales representatives.

The information given herein, including drawings, illustrations and schematics which are intended for illustration purposes only, is believed to be reliable. However, TE Connectivity makes no warranties as to its accuracy or completeness and disclaims any liability in connection with its use. TE Connectivity's obligations shall only be as set forth in TE Connectivity's Standard Terms and Conditions of Sale for this product and in no case will TE Connectivity be liable for any incidental, indirect or consequential damages arising out of the sale, resale, use or misuse of the product. Users of TE Connectivity products should make their own evaluation to determine the suitability of each such product for the specific application.

中国大陆
西安鑫源宇通电子科技有限公司
陕西省西安市高新区锦业路70号航
天恒星园区1号厂房一层南
Tel: 400-780-9688
sales@senstechxyz.com

中国香港
深大实业有限公司
香港新界沙田安平街6号新贸易
中心B座13楼06室
Tel: +86 17792099916
info@caltropinstruments.com

新加坡
深大实业有限公司
香港新界沙田安平街6号新贸易
中心B座13楼06室
Tel: +86 17792099919
info@senstechxyz.com