



AXISENSE-2 SERIES CAN J1939 TILT SENSOR

SPECIFICATIONS

- Dual axis tilt sensor
- Measurement ranges $\pm 90^\circ$
- CAN J1939 interface

FEATURES

- 8 to 30 VDC supply voltage
- Digital signal processing includes
 - filter (e.g. vibration damping)
 - temperature compensation
- 12-bit resolution
- 100 Hz refresh rate
- -40°C to 85°C temperature range
- Accuracy typically
 - 0.5° | -40°C to 85°C
 - 0.15° | 25°C

APPLICATIONS

- Mobile and stationary cranes
- Lift platforms
- Building control
- Weighing systems
- Truck chassis levelling
- Vehicle applications
- Road construction machines

The **AXISENSE-2 MEMS-Series tilt sensor** dual axis is mainly developed with focus on platform leveling, dynamic engine management, tip-over protection and tilt alarm.

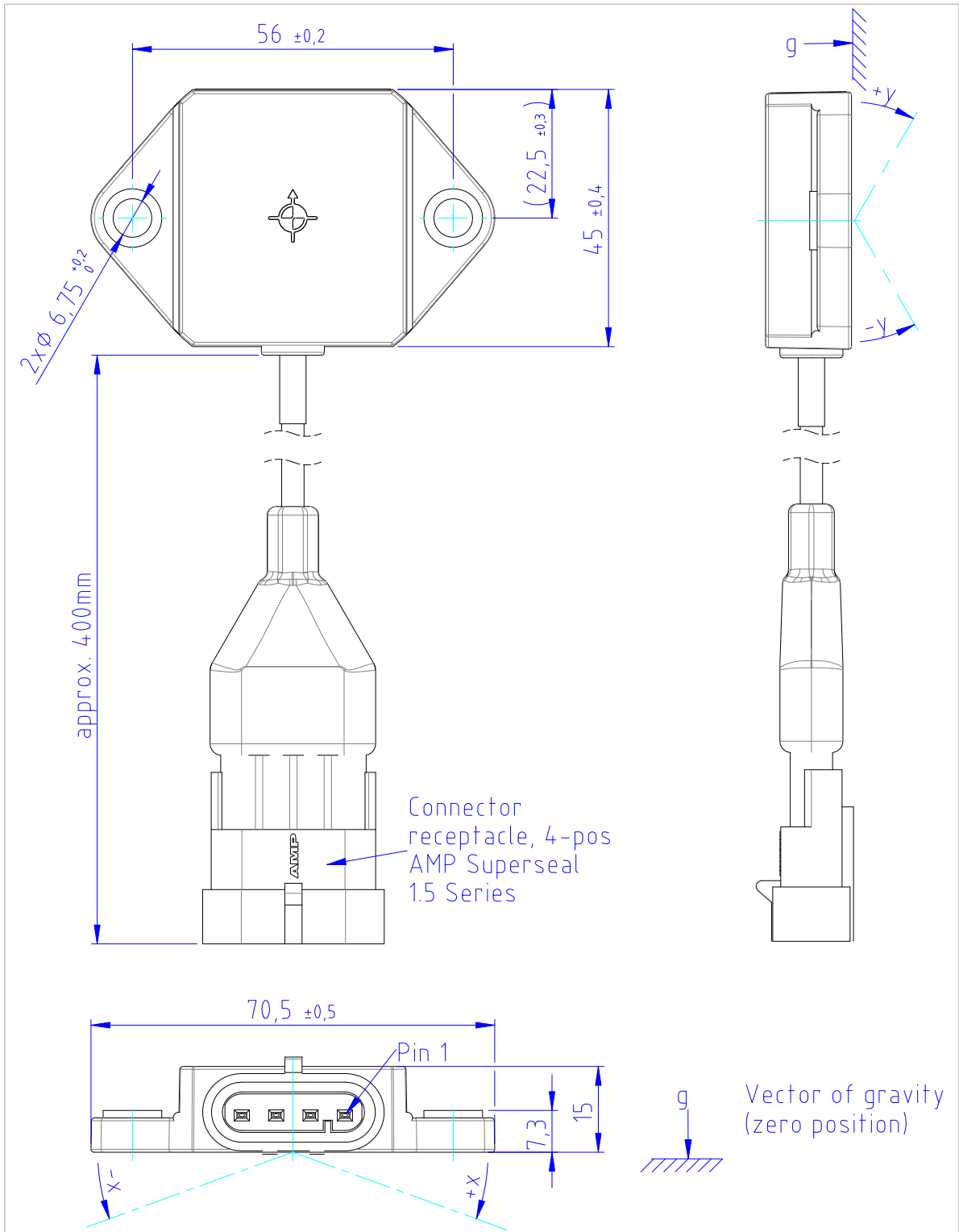
A fast response time and good accuracy makes this device the ideal choice for mobile leveling applications. It features digital signal processing including temperature compensation.

The integrated filter improves performance and allows using the sensor in many noisy environments (e.g. vibrations).

The tilt sensor includes a powerful digital signal processing that offers various filter algorithms and allows customer specific OEM solutions. It is possible to adjust the sensor to different environments yielding an optimized performance. Customization can also be made in terms of angular range and connectivity, i.e. cable and connector.

The PA6.6 housing is very compact in size and has compression limiter bushings for safe installation of the sensor. It is compatible with oil, grease and fuel also. Therefore it is frequently used for engine and vehicle applications.

Dimensions [mm]



AXISENSE-2 SERIES CAN J1939 TILT SENSOR

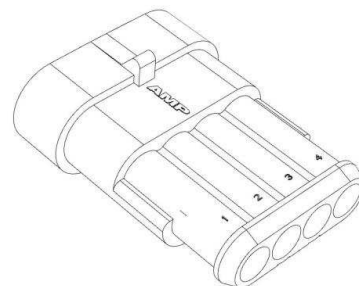
PARAMETERS

| Parameter | Value | Comment |
|-------------------------------|---------------------------------------------------------------------------------|---------------------------------------------------------------------------------------------------------------------------------------------------------|
| Range | ±90° | Dual axis sensor |
| Accuracy I. | 0.2° | R = -8° – 8° |
| Accuracy II | 0.5° | R = -90° – 90° |
| Temperature Offset Drift, typ | ±0.4° | T = -40 °C – 85 °C; x = y = 0° |
| Resolution | 0.01° | Limited by CAN protocol |
| Refresh rate | 100 Hz | Internal processing |
| Startup time | <1 s | After power cycle |
| Supply/excitation voltage | 8 – 30 V | Direct current (DC) stabilized |
| Supply current, typ. | <30 mA | Typ. 20 mA, peak 30 mA during transmit |
| Output | x-axis and y-axis | Linearized and temperature compensated angles in degree, reference is plane perpendicular to vector of gravity = earth surface |
| Interface | SAE J1939 CAN2.0B | 250 kbps Source Address: - AXISENSE-2-200 : 0xC2 (fix) - AXISENSE-2-207 : 0xC0 (default); settable in the range of [0x80 – 0xF7] |
| Connector | AMP Superseal 1.5-Series, 4-pos. cap housing, TE Connectivity part-no. 282106-1 | Requires 4-pos. plug housing, AMP Superseal 1.5-Series at connecting harness, TE Connectivity part-no. 282088-1 |
| Cable | 4 wire 0.25 mm ² , outer diameter Ø3.9 mm | PUR, length incl. connector 400 mm, full temperature range, flexible |
| Ingress Protection Class | IP67 | applies if proper mating connector is attached to form sealing |
| Operation temperature range | -40 °C – 85 °C | |
| Storage temperature range | -40 °C – 85 °C | |
| Operating humidity | Typical: ≤ 50 %RH Max: 90 %RH | >80 less than 40% of time |
| Weight, typ | 60 g | |
| Dimensions | 70.5 mm x 45 mm x 15 mm | W x D x H |

Applicable **Mounting Recommendations for Sensor Modules of AXISENSE-Series** can be downloaded from te.com Resources section as Document Number 114-160013.

CONNECTOR PINNING

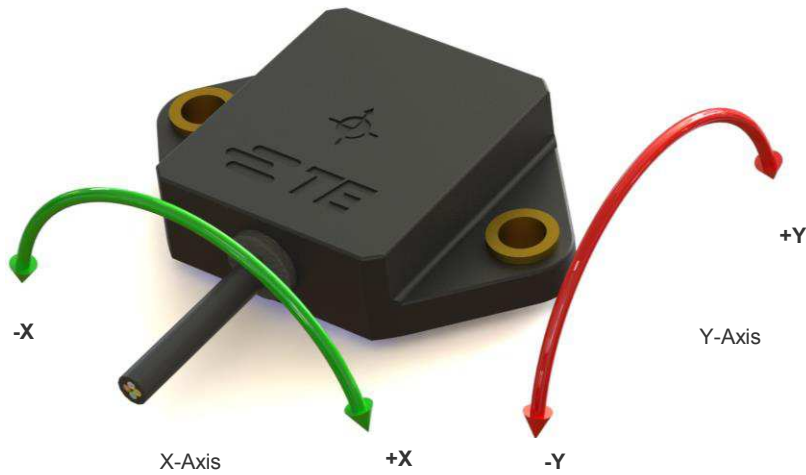
| Pin | Function | Description |
|-----|-----------------|------------------------------|
| 1 | V _{CC} | 8 to 30 VDC supply input (+) |
| 2 | GND | GND |
| 3 | CAN H | CAN high line, in/out |
| 4 | CAN L | CAN low line, in/out |



The CAN J1939 detailed description is included in the specification, which is available on request.

AXISENSE-2 SERIES CAN J1939 TILT SENSOR

FUNCTION VIEW



This AXISENSE-2 MEMS series CAN J1939 tilt sensor is designed for floor mount application.

ORDERING INFORMATION

| Part Number | Short Description |
|----------------------------------------|----------------------------------------------------------------------------------------------------------------------------------------------------------------|
| AXISENSE-2-200 (TCPN: G-NSDOG2-200) | Dual axis tilt sensor, range +/-90 deg, Vcc 8 – 30 VDC, CAN J1939 Interface, Source address 0xC2 |
| AXISENSE-2-207 (TCPN: 10202069-00) | Dual axis tilt sensor, range +/-90 deg, Vcc 8 – 30 VDC, CAN J1939 Interface (Source address range [0xC0, 0x80 – 0xF7] ; see specification for details) |

For other orientations, measurement ranges or supply voltages please contact TE Connectivity sales representatives.

The information given herein, including drawings, illustrations and schematics which are intended for illustration purposes only, is believed to be reliable. However, TE Connectivity makes no warranties as to its accuracy or completeness and disclaims any liability in connection with its use. TE Connectivity's obligations shall only be as set forth in TE Connectivity's Standard Terms and Conditions of Sale for this product and in no case will TE Connectivity be liable for any incidental, indirect or consequential damages arising out of the sale, resale, use or misuse of the product. Users of TE Connectivity products should make their own evaluation to determine the suitability of each such product for the specific application.

中国大陆
西安鑫源宇通电子科技有限公司
陕西省西安市高新区锦业路70号航
天恒星园区1号厂房一层南
Tel: 400-780-9688
sales@senstechxyz.com

中国香港
深大实业有限公司
香港新界沙田安平街6号新贸易
中心B座13楼06室
Tel: +86 17792099916
info@caltropinstruments.com

新加坡
深大实业有限公司
香港新界沙田安平街6号新贸易
中心B座13楼06室
Tel: +86 17792099919
info@senstechxyz.com