

The CS15 is Celesco's compact industry standard size 15, servo-mount incremental encoder. With a low profile of less than an inch in height and a diameter of only 1.5 inches, the economically priced CS15 is perfect for both the OEM and single-piece user alike. Precision ball bearings support a durable stainless steel shaft for reliable, long life operation.

Standard features include 100, 1000, 2000 or 2500 pulses per turn option, a push pull driver and complementary output channels for single-ended or differential output connection. Every encoder ships with state of the art opto-asic circuitry designed to provide a clean, reliable output signal to just about any PLC or electrical interface.

Ordering Information

Order Number	pulses per turn
CS15-100	100
CS15-1000	1000
CS15-2000	2000
CS15-2500	2500

CS15 Rotary Incremental Encoder

100 to 2500 Pulses per Revolution

Size 15, Low Profile Design • 5..28 VDC, Push-Pull Driver

OEM or Industrial Applications

In Stock for Quick Delivery

General

Pulses Per Revolution Options	100, 1000, 2000, 2500
Output Driver	push-pull (Vout = Vin)
Input Voltage (Vin)	5...28 VDC
Input Current	100 mA max.
Load	20 mA max.
Maximum Shaft Speed	8000 RPM
Maximum Frequency	200 kHz
Electrical Connection	18-inch, 26 AWG multi-conductor cable

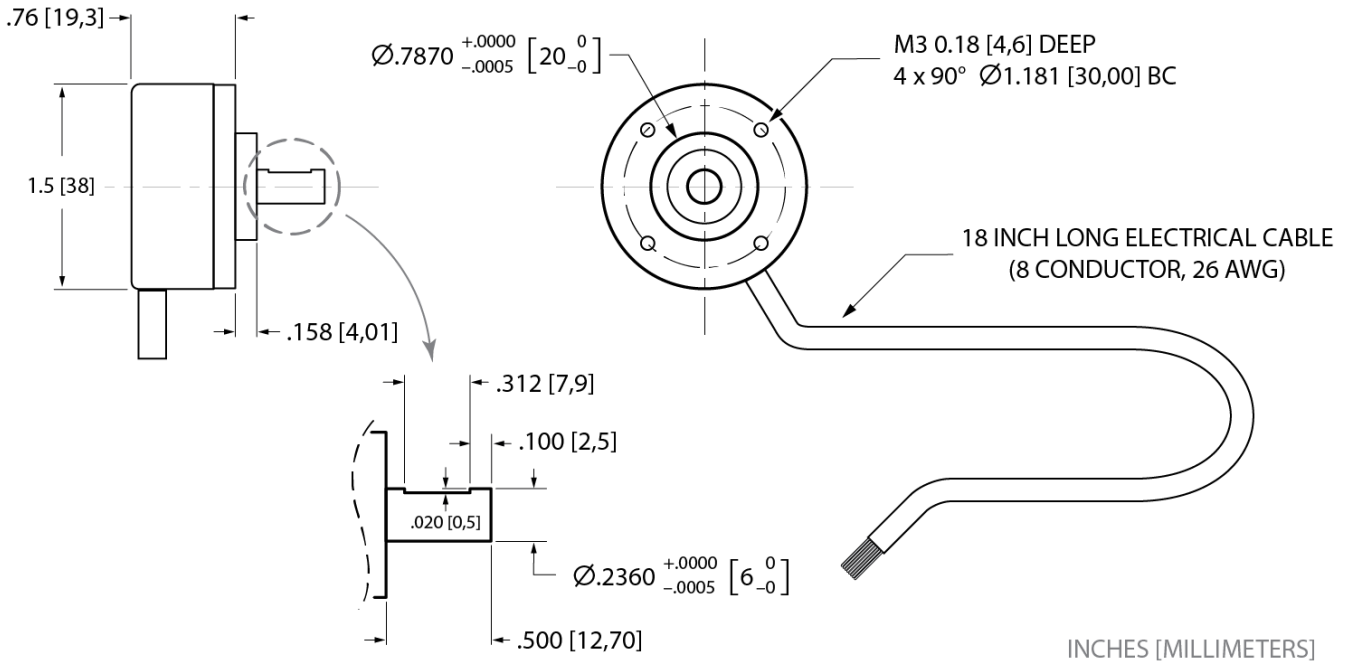
Mechanical

Flange	aluminum
Shaft	stainless steel
Shaft Loading, Radial	5 lbs (22 N) max.
Shaft Loading, Axial	5 lbs (22 N) max.
Starting Torque	approx. .05 oz-in. (.35 N-mm) @ ambient temperature
Bearing Type	precision ball bearings
Bearing Life, @60% of full rated load	1.2 x 10 ¹⁰ revolutions
Moment of Inertia	6.7 x 10 ⁻⁵ oz-in-sec ² (4.8 gm-cm ²)
Maximum Acceleration	1 x 10 ⁵ rad/sec ²
Weight (approx)	3 oz.

Environmental

Environmental Suitability	IP50
Operating Temperature	0–185° F (-20–85° C)
Storage Temperature	-13°–185° F (-25°–85° C)
Humidity	98% RH non-condensing
Vibration	10 g @ 58 to 500 Hz
Shock	80 g @ 11 ms duration

Outline Drawing

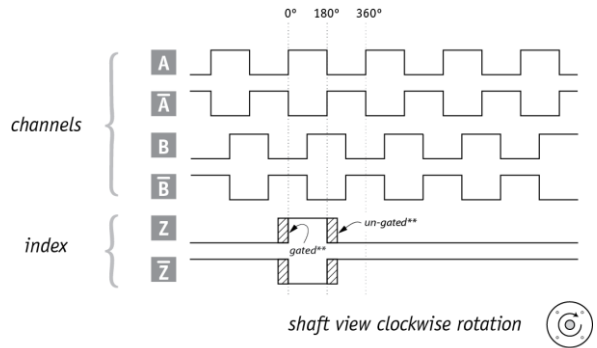


Signal Connections

color	signal
red	5...28 VDC
black	common
green	channel A
blue	channel A'

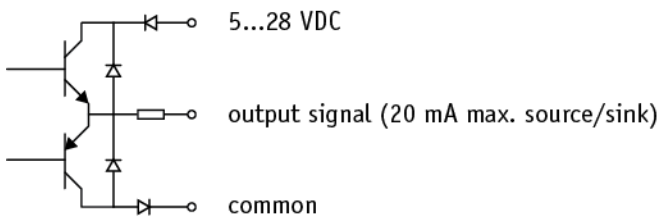
color	signal
white	channel B
gray	channel B'
yellow	Z
orange	Z'

Output Waveforms



**note: - 1000, 2000, 2500 pulses-per-turn options — gated to A, index pulse = 180°
 - 100 pulses-per-turn option — ungated, index pulse = approx 270°

Output Driver (1 of 4)



The information given herein, including drawings, illustrations and schematics which are intended for illustration purposes only, is believed to be reliable. However, TE Connectivity makes no warranties as to its accuracy or completeness and disclaims any liability in connection with its use. TE Connectivity's obligations shall only be as set forth in TE Connectivity's Standard Terms and Conditions of Sale for this product and in no case will TE Connectivity be liable for any incidental, indirect or consequential damages arising out of the sale, resale, use or misuse of the product. Users of TE Connectivity products should make their own evaluation to determine the suitability of each such product for the specific application.

中国大陆
西安鑫源宇通电子科技有限公司
陕西省西安市高新区锦业路70号航
天恒星园区1号厂房一层南
Tel: 400-780-9688
sales@senstechxyz.com

中国香港
深大实业有限公司
香港新界沙田安平街6号新贸易
中心B座13楼06室
Tel: +86 17792099916
info@caltropinstruments.com

新加坡
深大实业有限公司
香港新界沙田安平街6号新贸易
中心B座13楼06室
Tel: +86 17792099919
info@senstechxyz.com