



## DTC INITIUM

### Networkable Windtunnel Electronic Pressure Scanning Data Acquisition System

PSI's DTC Initium Data Acquisition System provides a powerful yet economical command and control device for PSI's DTC series of miniature pressure scanners. This advanced system epitomizes PSI's ambition to eliminate insitu calibration from electronic pressure scanning technology. The DTC Initium system integrates an advanced analog circuit design with PSI's innovative Digital Temperature Compensation (DTC) technology to maintain optimal accuracy without on-line span calibration. This proprietary technology utilizes a unique sensor mounting technique to enable accurate measurement of bridge resistances for use in real-time correction of thermal errors using individualized compensation algorithms embedded within the scanners. The result is an electronic pressure scanning system that provides state-of-the-art accuracy over the entire scanner operating temperature after only an initial rezero.

The Ethernet-based system directly connects any combination of up to eight 16, 32 or 64 port DTC scanners to facilitate as many as 512 channels of pressure measurements. Multiple systems can be networked for larger channel requirements. The DTC Initium supports software and hardware triggering of data sets, data packet ID stamping for time correlation, and data throughput to the host computer at rates as high as 1200 Hz per channel in engineering units. The system also supports other sophisticated DTC scanner features including programmable deranging capability and internal manifold position sensing. The system will operate from a single +18 to 36 VDC unregulated supply.

Windows® based utility software written in Visual Basic is supplied with the DTC Initium system allows the user to configure acquisition parameters such as sample rates, averaging, and thermal update rates. It also provides diagnostic tools such as accuracy, channel crosstalk, and leak check routines. The utility software also facilitates firmware upgrades downloaded to the system via Ethernet, which are made available at no charge via [www.TE.com/sensorsolutions](http://www.TE.com/sensorsolutions).

### Features

- Support for up to 512 Pressure Channels
- $\pm 0.05\%$  FS Accuracy after Rezero
- 1200 Hz per Channel Throughput Capability in Engineering Units
- Auto-negotiating 10/100 Base-T Ethernet Interface
- Comprehensive Applications Utility Software

### Applications

- Industrial Aerodynamics
- Architectural Engineering Studies
- Small Scale Wind Tunnel Research

**Specifications**

\*Specifications subject to change without notice. After 1 hours warmup @ 25°C with atmospheric reference pressure unless otherwise stated.

PARAMETER	PARAMETER	UNITS	COMMENTS
<b>PNEUMATICS</b>			
Type of ESPs Supported	ESP-64HD ESP-32HD ESP-16MS		DTC Series only
Number of ESPs Supported	1 to 8		any combination of 16, 32 or 64 port scanners
<b>PERFORMANCE<sup>1</sup></b>			
Static Accuracy <sup>2</sup>			
@ 100% Range <sup>3</sup>	±0.05	%FS	range > 5 psid
	±0.10	%FS	range ≥ 10 in WC to ≤ 5 psid
	±0.25	% FS	range < 10 in WC
@ 33% Range <sup>4</sup>	±0.10	%FS	range ≥ 5 psid
Total Thermal Error			
@ 100% Range	±0.002	%FS/°C	range > 5 psid
	±0.004	%FS/°C	range ≥ 10 in WC to ≤ 5 psid
	±0.01	%FS/°C	range < 10 in WC
@ 33% Range <sup>4</sup>	±0.003	%FS/°C	range ≥ 5 psid
A/D Resolution	18	bits	
Measurement Resolution	0.003	%FS	
Throughput Rate (in Engineering Units)	1200 650 325	Hz/ch Hz/ch Hz/ch	when scanning 16 channels per scanner when scanning 32 channels per scanner when scanning 64 channels per scanner
<b>COMMUNICATIONS</b>			
Interface	10/100 Base-T Ethernet		auto-negotiating, half or full duplex
Protocol	TCP and UDP		
<b>ELECTRICAL</b>			
Supply Voltage	18-36	VDC	unregulated
Supply Current	1.6 – 0.8	A	typically 1.2A @ 24 VDC with full load
<b>ENVIRONMENTAL</b>			
Operating Temperature	0 to 70	°C	
Storage Temperature	-20 to +70	°C	
Relative Humidity	95	%	at 50°C, non-condensing
<b>PHYSICAL</b>			
Size	10.00 x 7.00 x 3.50	in	W x D x H
Weight	3.6	lbs	

**NOTES:**

1. User-selectable system operational parameters such as data averaging and sampling rates enable optimal measurement accuracy to be achieved.
2. Static accuracy includes combined errors due to non-linearity, hysteresis, and non-repeatability.
3. Achievable static accuracy after rezero. Scanner span calibration recommended at ambient temperature every 6 months to maintain static accuracy specification.
4. Accuracy is expressed as a percent of the deranged Full Scale when dual range calibration is specified.

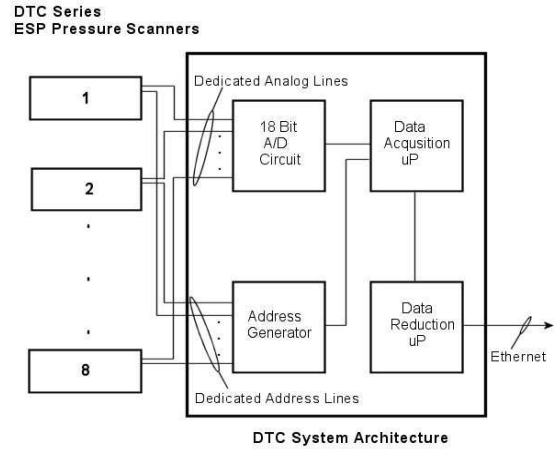


## Theory Operation

### DTC Initium Mainframe Architecture

The DTC Initium mainframe features a sophisticated architecture integrating dual embedded microprocessors with innovative scanner addressing logic. This design achieves maximum throughput provided by the electronic pressure scanners.

The twin 80 MHz PowerPC microprocessors control segregated tasks within the system. One processor executes engineering unit conversion and handles host communication while the other controls scanner addressing and data sampling. The addressing process routes individual scanner signals through dedicated analog lines to an 18-bit 570 kSPS A/D converter. This configuration avoids all potential restraints in the analog path and assures sampling rates are constrained only by the 50 microseconds settling time required for scanner analog outputs to stabilize within accuracy specifications once a new channel is addressed. Data conversion is executed independent of scanner acquisition, allowing maximum throughput in engineering units to the host computer to be achieved.

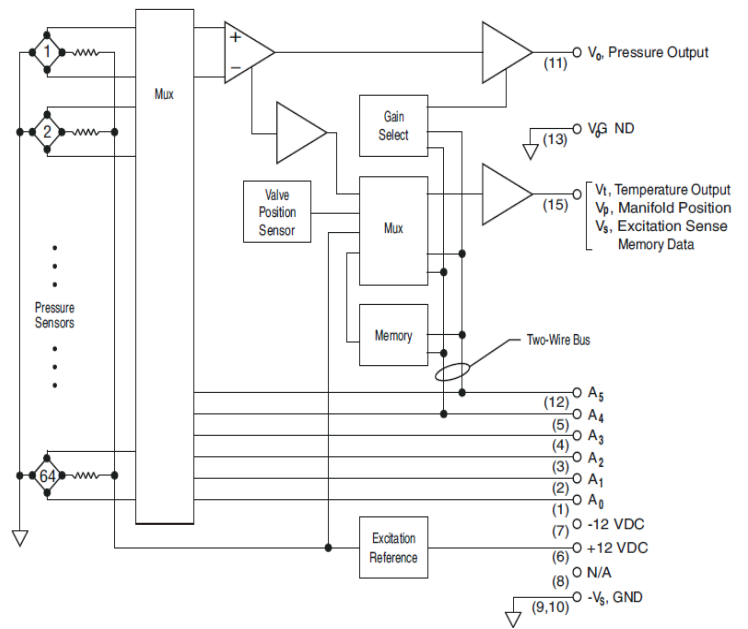


### Digital Temperature Compensation (DTC)

The DTC option of the ESP pressure scanners incorporates many advanced features to increase the utility of the scanners while providing digital temperature compensation of the silicon sensors. An EEPROM integral to the scanner stores compensation algorithms unique to each sensor. Also stored in the EEPROM is information identifying the pressure range of the scanner, the number of pressure sensors, the model number, the serial number, the date of manufacturer, the date of calibration, and the model and serial number of the calibration unit used to calibrate the scanner. This data is serially transmitted to the DTC System through the ESP address lines.

Using proprietary PSI-developed techniques, the pressure sensors are ingeniously mounted to accurately derive bridge resistance as a function of temperature, which is transmitted along with the raw pressure measurements to the DTC System. Utilizing the calibration data within the EEPROM, the DTC System compensates for temperature changes to the sensors in real time reducing thermal error by a factor of 20 over conventional scanners. The ESP scanners also incorporate a hall effect sensor, which is used to indicate the position of the calibration manifold. This position information can be transferred to the system upon command.

Another advanced feature is the ability to derange the ESP scanner upon command. This alters the gain on the amplifier to derange the scanner by a factor of three, enabling additional windtunnel tests to be conducted without re-instrumenting the model with lower range ESP scanners. To optimize the accuracy of the DTC scanner at the highest gain, the optional dual range calibration is recommended.



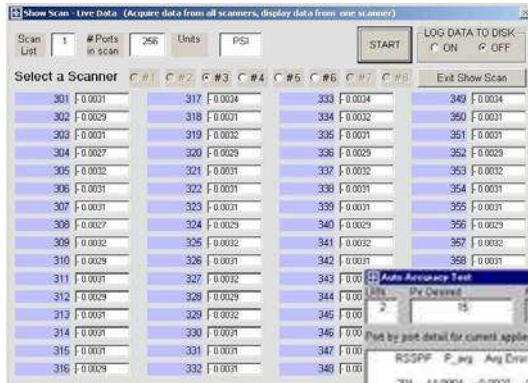
## Software

DTC Initium Utility Software is a Visual Basic Windows® program that provides the user with general startup operations as well as diagnostic and other utility routines.

General startup routines to run the system and insure proper operation are selected from a menu of available functions on the startup screen. The system can be initialized for custom operation and commanded to run continuous data acquisition for real-time numerical display. Data can also be logged in .csv format for post-run review in Excel or other programs.

Diagnostic routines include operations to confirm system accuracy, assure leak-free operation, and guarantee no channel-to-channel crosstalk. The comprehensive compliment of diagnostic routines are provided to insure system health and enable PSI service engineers to assist customers in keeping systems running properly.

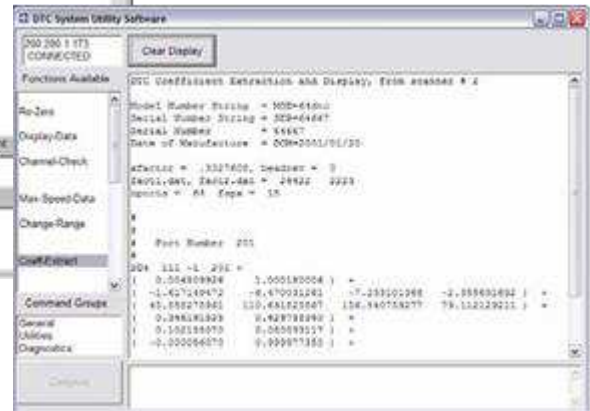
Utility routines include protected scanner EEPROM communication to enable stored data to be evaluated or manipulated as well as system firmware update using downloads offered at no charge from PSI's website.



Startup



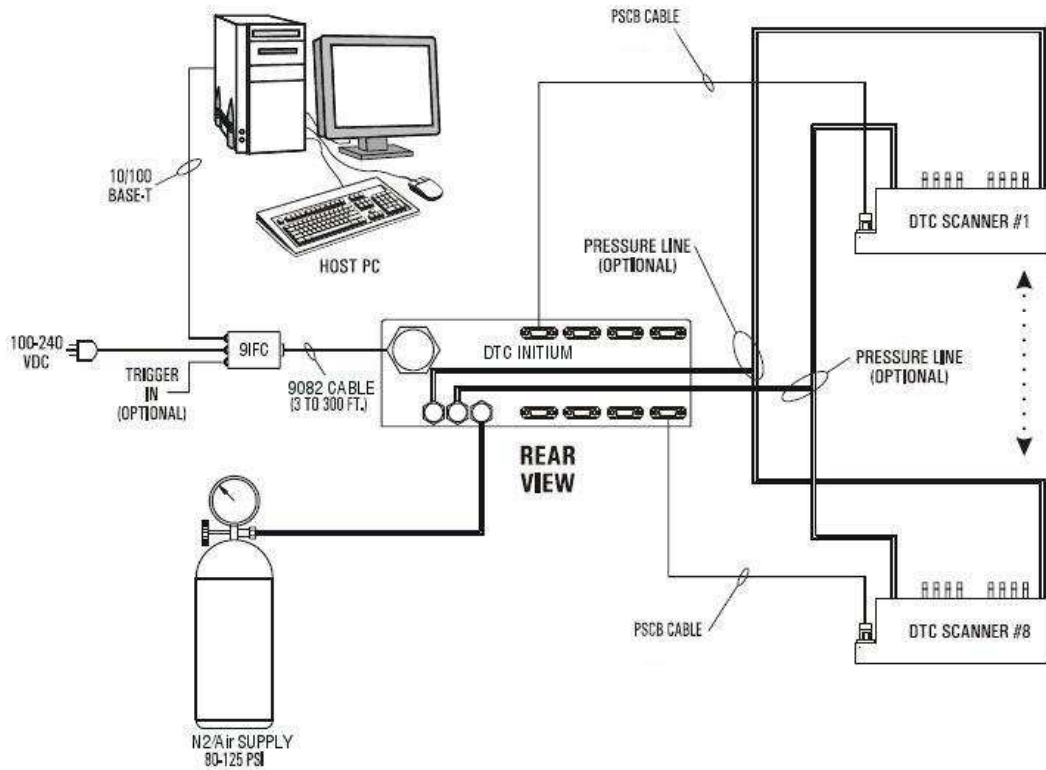
Diagnostics



Utilities

### System Configuration

An example system configuration is illustrated below. Required connections for system operation are simple and few. Power can be user-derived or supplied using PSI's Model 91FC, which provides a convenient interface for power regulation, hardware trigger, and Ethernet communication, all through a 9082 cable to the DTC Initium mainframe. Electrical connection to the DTC Series ESP Pressure Scanners is accomplished using PSCB cables, one for each scanner. An 80-125 psi air source can be supplied to the system to enable the ESP calibration manifolds to be shifted for rezero and/or verification operations under solenoid control within the system.



## Ordering Information

<b>INITIUM-0000000000</b>	DTC Initium Mainframe
<b>9IFC-0301000000</b>	Host Interface, Universal AC Power
<b>PSCB-ABBBB00000</b>	Scanner Cable DTC Initium to ESP Pressure Scanner, 150 foot maximum*
<b>A</b> =	Material
	0, PVC (standard)
	1, Teflon
<b>BBBB</b> =	Length in feet [Example: 0045 = 45 feet]
<b>9082-0AAAAB0000</b>	Interface Cable Assembly (5 ft. min, 125 ft. max)
<b>AAAA</b> =	Cable lengths [Example: 0100 = 100 feet]
<b>B</b> =	Cable Termination
	0, Standard, Circular Twistlock Connection
	5, RJ45 and Ring Terminals on Network End of Cable, Cross Cat 5 Wiring

\*For use with Gen2 DTC Pressure Scanners, Gen1 DTC Pressure Scanners have a maximum 30 foot PSCB cable length limitation.

Please refer to ESP-HD Datasheet for Compatible pressure scanner part numbering information.

中国大陆  
西安鑫源宇通电子科技有限公司  
陕西省西安市高新区锦业路70号航  
天恒星园区1号厂房一层南  
Tel: 400-780-9688  
[sales@senstechxyz.com](mailto:sales@senstechxyz.com)

中国香港  
深大实业有限公司  
香港新界沙田安平街6号新贸易  
中心B座13楼06室  
Tel: +86 [17792099916](tel:17792099916)  
[info@caltropinstruments.com](mailto:info@caltropinstruments.com)

新加坡  
深大实业有限公司  
香港新界沙田安平街6号新贸易  
中心B座13楼06室  
Tel: +86 [17792099919](tel:17792099919)  
[info@senstechxyz.com](mailto:info@senstechxyz.com)