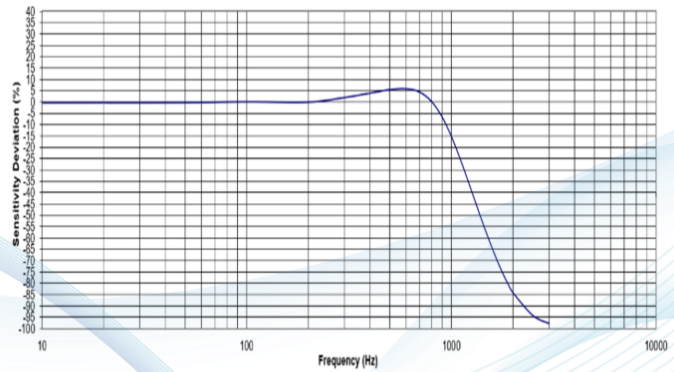




G30AS is specifically designed to enable the detection of ultra-low level, low frequency vibrations associated with very large structures, foundations, and earth tremors. The sensor typically possess exceptional measurement resolution as the result of a comparatively large size, which furnishes a stronger output signal and a lower noise floor. Both ceramic and quartz sensing elements are utilized in seismic accelerometer designs. G30AS with ceramic sensing element, offers the best low frequency response. Build-in low noise signal conditioning circuitry offer the greatest measurement resolution. For the best measurement clarity, seismic accelerometers should be used with a unity gain, battery powered signal conditioner. The accelerometer offer rugged, laser welded, stainless steel housing with durable military style connectors. Electrical case isolation, hermetic sealing, RF, EMI, ESD, and overload protection all ensure tolerance against environmental influence and mishandling. All variations provide reliable measurements and long-term stability.

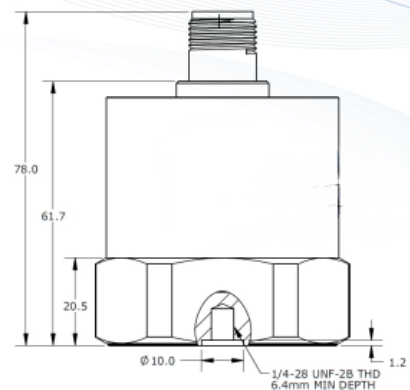
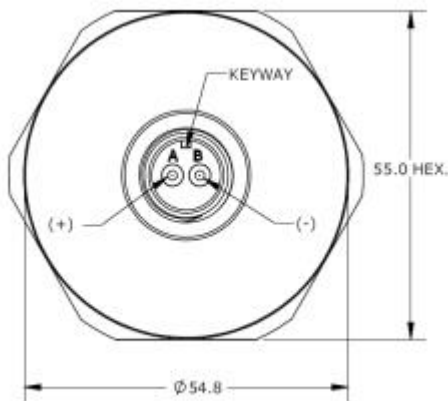
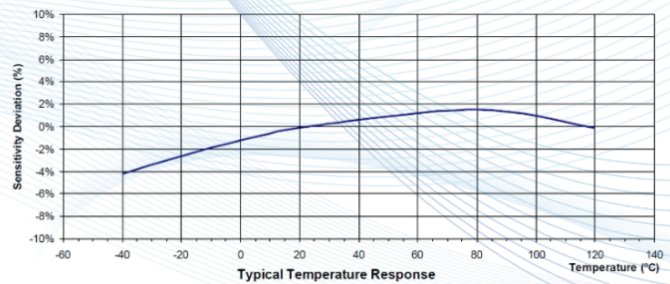
Features:

- Ultra Low frequency
- Top connector
- High sensitivity
- Hermetic seal
- Case isolated
- EMI / RFI shielded



Application:

- Building vibration monitoring
- Earthquake detection
- Bridge monitoring
- Foundation vibration studies
- Structural testing



Specification:

Dynamic performance		Unit	
Measurement Range	G.peak	±0.25	±0.5
Sensitivity ±10%	V/g	20	10
Frequency Range ±5%	Hz	0.1~400	
Frequency Range ±3dB	Hz	0.05 ~ 500	
Resonant Frequency	Hz	2000	
Transverse Sensitivity	%	<5	
Non-Linearity	% FSO	±1	
Shock Limit	g	±100	
Environmental parameters			
Temperature response -55 ~ +125°C	%/°C	±10	
Operating and Storage Temperature	°C	-50~125	
Bias Voltage	Vdc	10 ~ 14	
Electrical characteristics			
Output Impedance	Ω	< 100	
Insulation Resistance	MΩ	> 100	
Supply Voltage	Vdc	18 ~ 30	
Supply Current	mA	2 ~ 10	
Physical properties			
Weight (Excluding Cable)	Grams	920	
Sensing Element	Piezo Ceramic		
Housing Material	316L Stainless Steel		
Sealing	Welded Hermetic		
Connector	2 Pin MIL-C-5015		
Random accessory			
HS004	Mounting stud ¼-28 to ¼-28 thread	One stud Included	
HS005	Mounting stud ¼-28 to M6 thread		
HS006	Mounting stud ¼-28 to M10 thread	Optional	
AM003	3 channels IEPE signal conditioner	Optional	
AM004	Portable vibration analyzer	Optional	
AM005	8 channels data acquisition system	Optional	
Optional cables			
16A	Single axis accelerometer cable, with MIL-C-5015 connector	Optional	
16A-B	Single axis accelerometer cable, with MIL-C-5015 to BNC connector	Optional	

Ordering information:

G30AS

Range :
0.5=0.5g
0.25=0.25g

GGGG

ZZZ

A=IEPE Output

E.G:

G30AS2-0.5

Model G30AS2, 0.5, Connector, No Options

G30AS2-0.5A

Model G30AS2, 0.5, Connector, IEPE

The data contained in this document is intended for the use of technical trainers only. The customer's technical department is responsible for assessing the suitability of the product for the intended application and the completeness of the product information given in this document in relation to such application. For further information on products, technology, terms and conditions of delivery and prices, please contact our nearest office (www.senstechxyz.com).

中国大陆
西安鑫源宇通电子科技有限公司
陕西省西安市高新区锦业路70号航
天恒星园区1号厂房一层南
Tel: 400-780-9688
sales@senstechxyz.com

中国香港
深大实业有限公司
香港新界沙田安平街6号新贸易
中心B座13楼06室
Tel: +86 17792099916
info@caltropinstruments.com

新加坡
深大实业有限公司
香港新界沙田安平街6号新贸易
中心B座13楼06室
Tel: +86 17792099919
info@senstechxyz.com



西安鑫源宇通电子科技有限公司 | 400-780-9688
鑫源宇通——专业的传感和系统解决方案供应商

www.senstechxyz.com