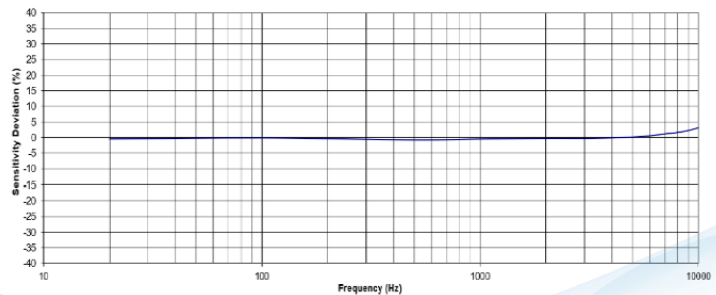




G50AS is an IEPE single axial accelerometer permitting simultaneous shock and vibration measurements. G50AS features an annular shear ceramic crystal which exhibits excellent output stability over time. The accelerometer incorporates an internal circuit with TEDS(optional) in a two-wire IEPE system which transmits its low impedance voltage output through the same cable that supplies the constant current power. Signal ground is connected to the outer case of the unit. Isolated mounting studs or housing are available. Polarity inversion protection for the amplify circuit is inherent in the circuit design. The welded stainless-steel construction provides a lightweight hermetic housing. The miniature 10-32 glass insulated connector provides long-term stability over the operating temperature range. In addition to adhesive mounting, the G50AS has 10-32 threaded holes for stud mounting on the test object. The G50AS provides wide frequency response, which is ideal for dynamic vibration and shock measurement especially for lightweight structures and drop testing for the packaging industry. Our model 1032 is a 10-32 to breakout cable for the sensor.

## Features:

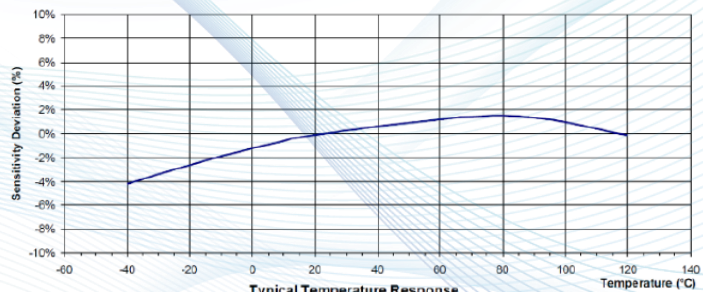
- Miniature Size
- Adhesive or stud mounting
- Hermetic seal
- Annular shear mode
- Wide frequency response



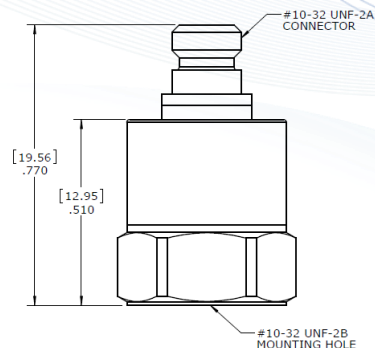
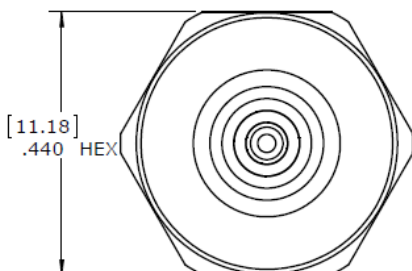
Typical Frequency Response

## Application:

- Vibration monitoring
- Shock testing
- Road testing
- Modal analysis
- Aircraft testing



Typical Temperature Response



## Specification:

Dynamic performance	Unit						
Measurement Range	g	50	100	250	500	1000	2000
Sensitivity $\pm 10\%$	mV/g	100	50	20	10	5	2.5
Frequency Range $\pm 5\%$	Hz	1 ~ 7000					
Frequency Range $\pm 10\%$	Hz	1 ~ 10000					
Frequency Range $\pm 3dB$	Hz	0.5 ~ 15000					
Resonant Frequency	kHz	38					
Transverse Sensitivity	%	<5					
Non-Linearity	% FSO	$\pm 1$					
Shock Limit	g pk	$\pm 5000$					
Environmental parameters							
Temperature response -55 ~ +125°C	%/°C	$\pm 10$					
Operating and Storage Temperature	°C	-50~125					
Bias Voltage (Room Temp.)	Vdc	8 ~ 12					
Bias Voltage (-50~125) °C	Vdc	6 ~ 13					
Electrical characteristics							
Output Impedance	$\Omega$	< 100					
Full Scale Output Voltage	V	$\pm 5$					
Insulation Resistance	M $\Omega$	> 100					
Supply Voltage	Vdc	18 ~ 30					
Supply Current	mA	2 ~ 10					
Physical properties							
Weight (Excluding Cable)	Grams	8.0					
Sensing Element	Piezo Ceramic						
Sensing Geometry	Shear						
Housing Material	Stainless Steel						
Sealing	Welded Hermetic						
Grounding	Signal return connected to case						
Output method	IEPE						
Random accessory							
HS007	Mounting stud 10-32 to 10-32 thread	One stud Included					
HS008	Mounting stud 10-32 to M5 thread						
Availability							
-T	T=IEPE output with TEDS						

## Optional cables

1032	Single axis accelerometer cable, 10-32 connector, high temperature and low noise	Optional
1032RG	Single axis accelerometer cable, 10-32 connector, black coaxial	Optional
1032D3	Single-axis accelerometer cable, 10-32 connector, $\phi 3$ blue flexible cable	Optional

**Ordering information:**

G47AS	GGGG	ZZZ
Range 0050=50g 0100=100g 0250=250g 0500=500g 1000=1000g 2000=2000g		
Output signal T=IEPE 输出 with TEDS		

**Example:**

**G50AS-50**

Model G50AS, 0050, Connector, No Options

**G50AS-50T**

Model G50AS, 0050, Connector, TEDS

The data contained in this document is intended for the use of technical trainers only. The customer's technical department is responsible for assessing the suitability of the product for the intended application and the completeness of the product information given in this document in relation to such application. For further information on products, technology, terms and conditions of delivery and prices, please contact our nearest office ([www.senstechxyz.com](http://www.senstechxyz.com)).

中国大陆  
 西安鑫源宇通电子科技有限公司  
 陕西省西安市高新区锦业路70号航  
 天恒星园区1号厂房一层南  
 Tel: 400-780-9688  
[sales@senstechxyz.com](mailto:sales@senstechxyz.com)

中国香港  
 深大实业有限公司  
 香港新界沙田安平街6号新贸易  
 中心B座13楼06室  
 Tel: +86 17792099916  
[info@caltropinstruments.com](mailto:info@caltropinstruments.com)

新加坡  
 深大实业有限公司  
 香港新界沙田安平街6号新贸易  
 中心B座13楼06室  
 Tel: +86 17792099919  
[info@senstechxyz.com](mailto:info@senstechxyz.com)

