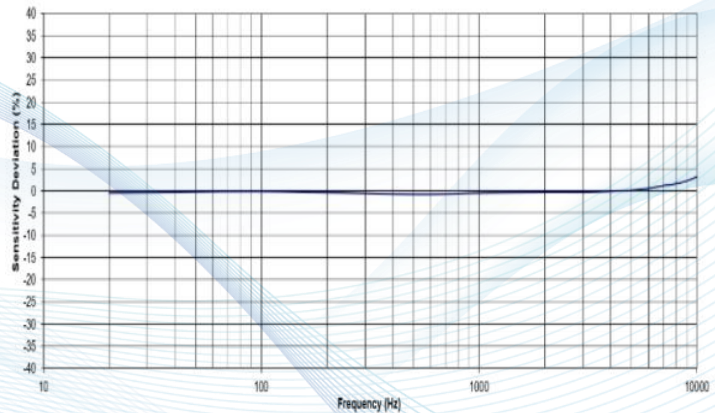




G90AS is a comparison standard accelerometer designed specifically for accelerometer calibration. It transfer standard accelerometer for calibration of back-to-back working standards and reference standards built into shakers. The unit is hermetically sealed and ideal for long term reference standard. This sensor is the industry standard for vibration/shock calibration. The model G90AS provide Ultra-stability performance and flat high frequency response by reliable crystal sensing element. Model G90AS offer double side(Top & Bottom) 1/4-28 thread hole for shaker mounting and the sensor under test. Features a button configuration, model G90AS operating in compress mode. The specially designed crystal exhibit low base strain sensitivity and high resonance frequency, and excellent output stability over time. Signal ground is connected to the outer case of the unit, an insulation washer is available by option. The accelerometer features a 10-32 side connector and requires a coaxial cable for measurement operation. 1032 cable is a 10-32 to BNC breakout coaxial cable for the sensor.

## Features :

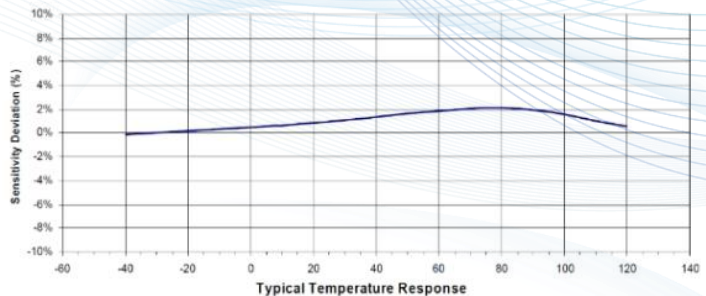
- Laboratory standard
- CNAS traceable calibration
- Hermetic seal
- Ultra-stable output
- Wide frequency response
- Shock duration



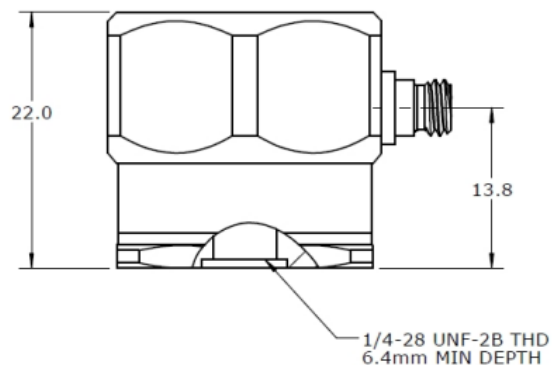
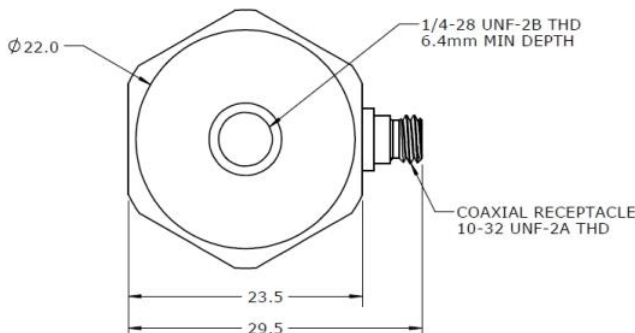
Typical Frequency Response

## Application :

- Back to Back comparison
- Accelerometer calibration
- Vibrator control
- Vibration standard
- Shock calibration



Typical Temperature Response



## Specification:

Dynamic performance	Unit	
Measurement Range	g	500
Sensitivity, typical	mV/g	10
Sensitivity, min.	mV/g	8
Frequency Range $\pm 5\%$	Hz	1~10000
Frequency Range $\pm 3\text{dB}$	Hz	0.5~15000
Resonant Frequency	kHz	38
Transverse Sensitivity	%	<3
Non-Linearity	% FSO	$\pm 0.5$
Shock Limit	g pk	$\pm 5000$
Environmental parameters		
Temperature response -55 ~ +125°C	%	$\pm 3$
Operating and Storage Temperature	°C	-50~125
Bias Voltage (Room Temp.)	Vdc	9 ~ 11
Bias Voltage (-50~125) °C	Vdc	8 ~ 12
Electrical characteristics		
Output Impedance	$\Omega$	< 100
Full Scale Output Voltage	V	$\pm 5$
Insulation Resistance	M $\Omega$	> 100
Supply Voltage	Vdc	18 ~ 30
Supply Current	mA	2 ~ 10
Physical properties		
Weight (excluding cable)	Grams	69
Sensing Element	Piezo Quartz	
Sensing Geometry	Compress	
Housing Material	316L Stainless Steel	
Sealing	Welded Hermetic	
Grounding	Signal return connected to case	
Output Methods	IEPE output	

Random accessory	Description	Configuration
HS004	Mounting stud ¼-28 to ¼-28 thread	Included
HS022	Mounting stud ¼-28 to M5 thread	
HS023	Mounting stud ¼-28 to 10-32 thread	
AM003	3 channels IEPE signal conditioner	Optional

Optional cables		
1032	Single Axis Acceleration Sensor Cable, 10-32 Connectors, High Temperature Low Noise	Optional
1032RG	Single Axis Accelerometer Cable, 10-32 Connectors, Black Coaxial	Optional
1032D3	Single-axis acceleration sensor cable, 10-32 connectors, $\phi 3$ blue cord	Optional

**Ordering information :**

<b>G90AS</b>	<b>ZZZ</b>
Model	Output Methods
G90AS	A=IEPE output

The data contained in this document is intended for the use of technical trainers only. The customer's technical department is responsible for assessing the suitability of the product for the intended application and the completeness of the product information given in this document in relation to such application. For further information on products, technology, terms and conditions of delivery and prices, please contact our nearest office ([www.senstechxyz.com](http://www.senstechxyz.com)).

中国大陆  
西安鑫源宇通电子科技有限公司  
陕西省西安市高新区锦业路70号航天恒宇园区1号厂房一层南  
Tel: 400-780-9688  
[sales@senstechxyz.com](mailto:sales@senstechxyz.com)

中国香港  
深大实业有限公司  
香港新界沙田安平街6号新贸易中心B座13楼06室  
Tel: +86 17792099916  
[info@caltropinstruments.com](mailto:info@caltropinstruments.com)

新加坡  
深大实业有限公司  
香港新界沙田安平街6号新贸易中心B座13楼06室  
Tel: +86 17792099919  
[info@senstechxyz.com](mailto:info@senstechxyz.com)

Version: 2022.12.06



西安鑫源宇通电子科技有限公司 | 400-780-9688  
鑫源宇通——专业的传感和系统解决方案供应商

| [www.senstechxyz.com](http://www.senstechxyz.com)

The contents of this manual may be updated from time to time due to product version upgrades or other reasons. Unless otherwise agreed, this manual is intended as a guide to use only, and all statements, information and recommendations in this document do not constitute any warranty, express or implied.