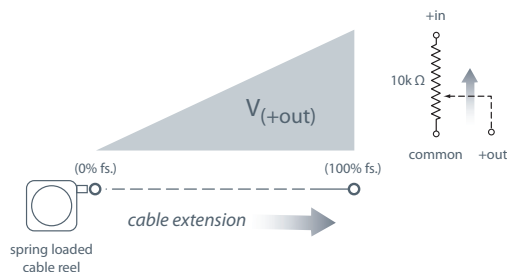


With its ultra compact design the SM1 is the perfect solution when tight space is an issue. At just a little over an inch across, this miniature stringpot offers full stroke measurement ranges from 2.4 to 25 inches. A precision plastic hybrid 10K-ohm potentiometer delivers a precise voltage divider output signal that is linearly proportional to the travel of the spring-loaded measuring cable.

Constructed with a rugged polycarbonate enclosure and free-release tolerant, the SM1 is the perfect solution for the OEM and single piece user alike.

### Output Signal:



# SM1

Linear Position to 25 inches (635 mm)

Fits In Tight Spaces • Handy Mounting Bracket

Polycarbonate Enclosure • Free Release Tolerant

In Stock for Quick Delivery!

### SPECIFICATIONS

Available Stroke Ranges	2.375, 7.5, 12.5, 25 inches
Output Signal	voltage divider (potentiometric)
Accuracy	.25% to 1% FS. (see ordering info)
Repeatability	.05% FS.
Resolution	essentially infinite
Measuring Cable	.014-inch dia. nylon-coated stainless steel
Maximum Acceleration	15 g (retraction)
Measuring Cable Tension	5.1 oz. (1.4 N) ±30%
Sensor	plastic-hybrid precision potentiometer
Input Resistance	10K ohms, ±10%
Power Rating, Watts	2.0 at 70°F derated to 0 at 250°
Max Input Voltage	30 V (recommended)
Sensitivity	940 ± 40 mV/V FS
Cycle Life	see ordering information
Electrical Connection	solder terminals, directly to potentiometer
Enclosure	glass-filled polycarbonate
Environmental	IP 50
Operating Temperature	0° to 160° F (-18° to 70° C)
Weight (not including bracket)	3 oz (90 g)

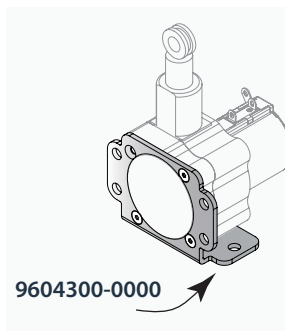
### ORDERING INFORMATION

Order No.	full stroke range	accuracy (% of f.s.)	cycle life
<b>SM1-2</b>	2.375 in (60 mm)	1.00%	2.5M cycles
<b>SM1-7</b>	7.5 in (191 mm)	0.25%	500K cycles
<b>SM1-12</b>	12.5 in (318 mm)	0.25%	500K cycles
<b>SM1-25</b>	25 in (635 mm)	0.25%	250K cycles



includes sensor, & standard mounting bracket.

### Optional Universal Mounting Bracket



Available as an optional accessory, this universal-style mounting bracket replaces the standard bracket to give added mounting flexibility.

It's easy to install and the mounting kit comes with the bracket and all of the screws needed to attach it to the sensor.

See fig. 3 below for further details.

Electrical Connection:

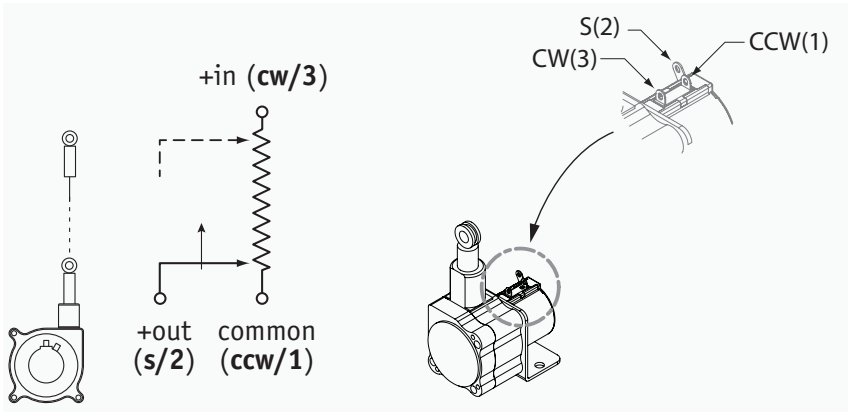
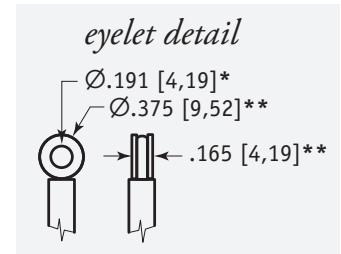
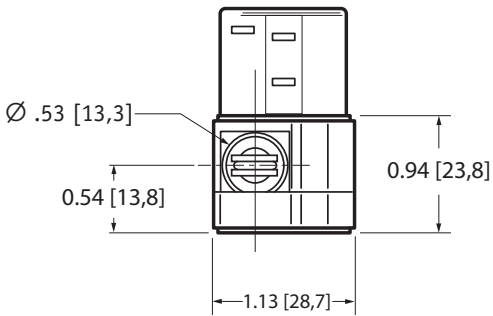
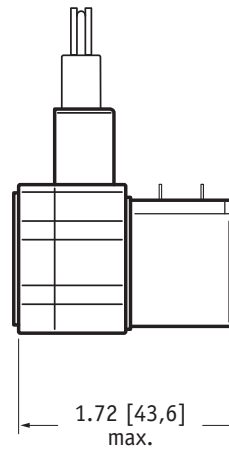
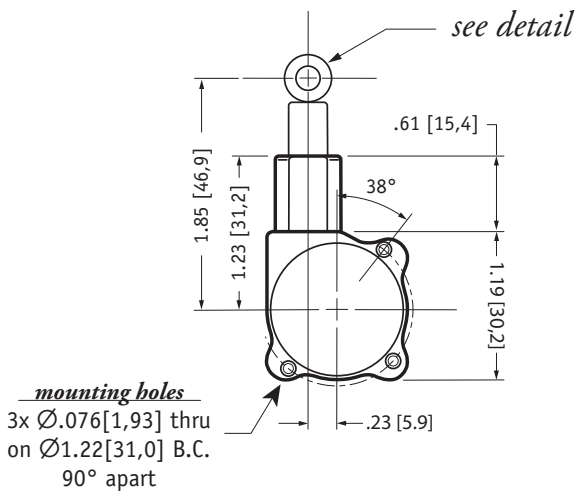


Fig. 1 - Outline Drawing (w/o mounting bracket):

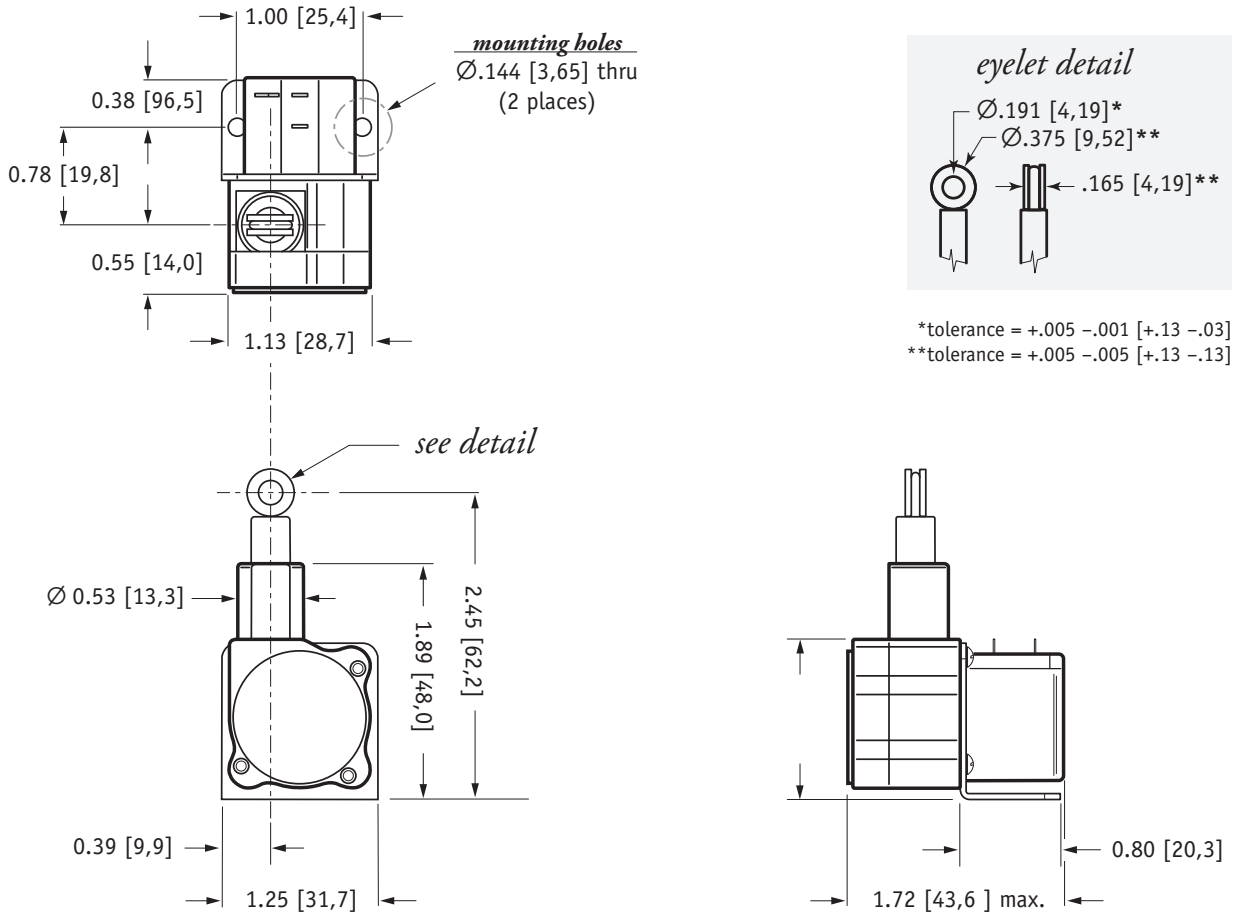


\*tolerance =  $+0.005 -0.001 [+0.13 -0.03]$   
 \*\*tolerance =  $+0.005 -0.005 [+0.13 -0.13]$



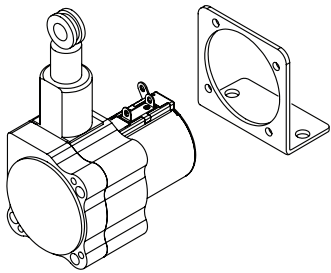
INCHES [MM]

Fig. 2 - Outline Drawing (w/standard bracket):

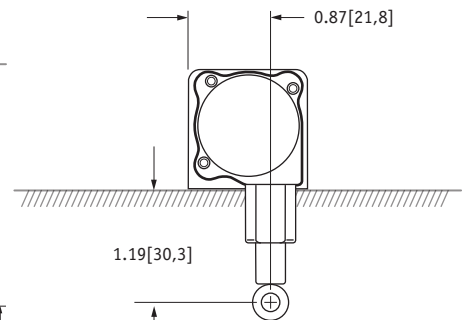
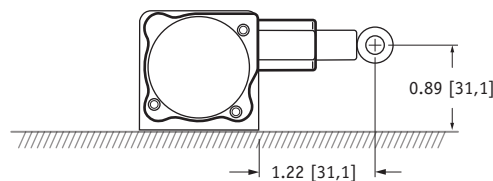
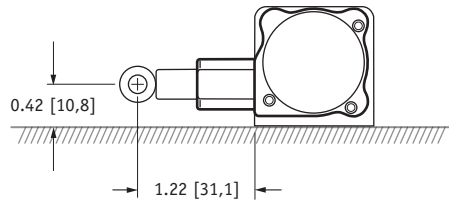
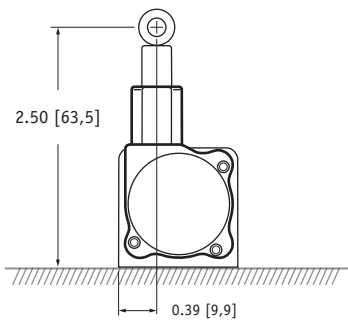


Mounting Options:

INCHES [MM]

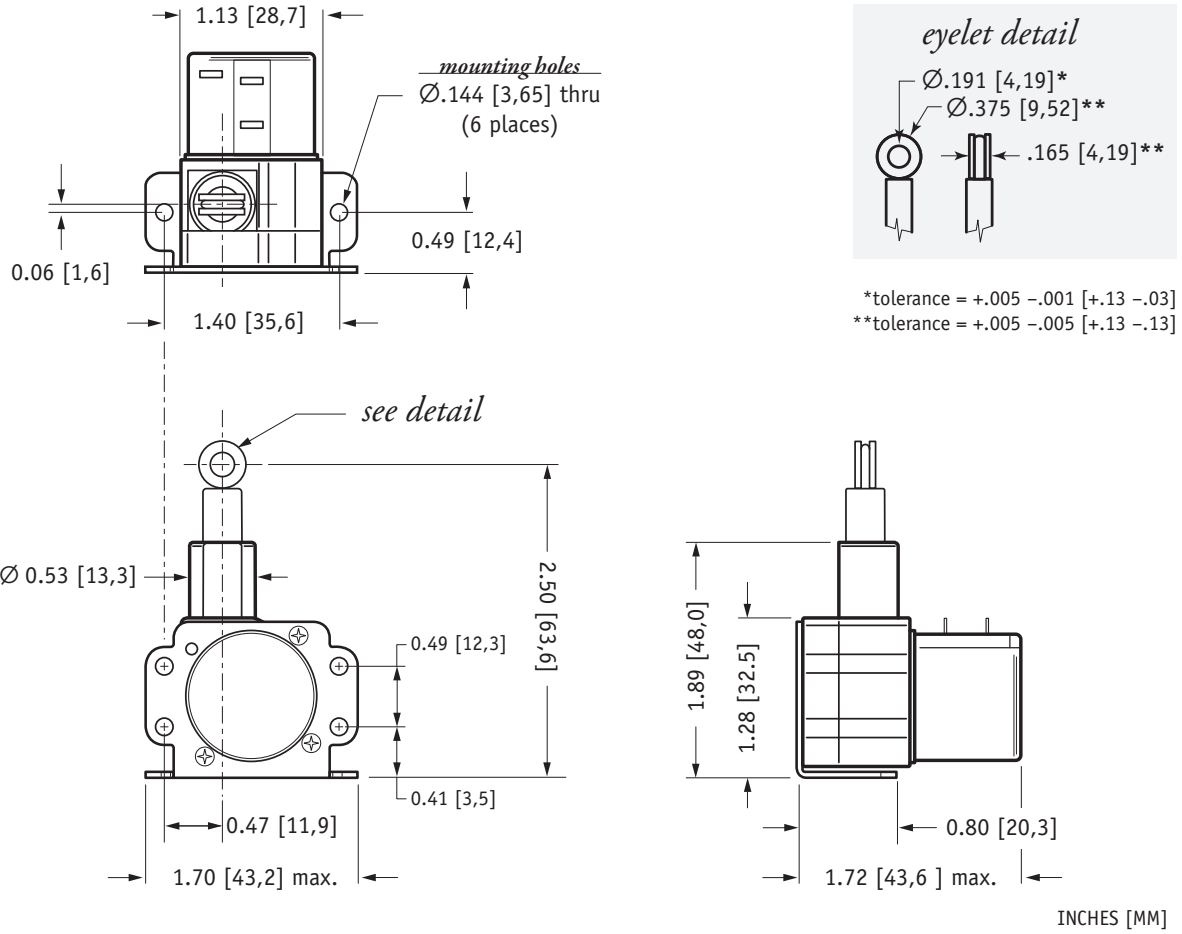


Mounting bracket can be removed and re-attached to front or back of sensor and rotated on 90° increments

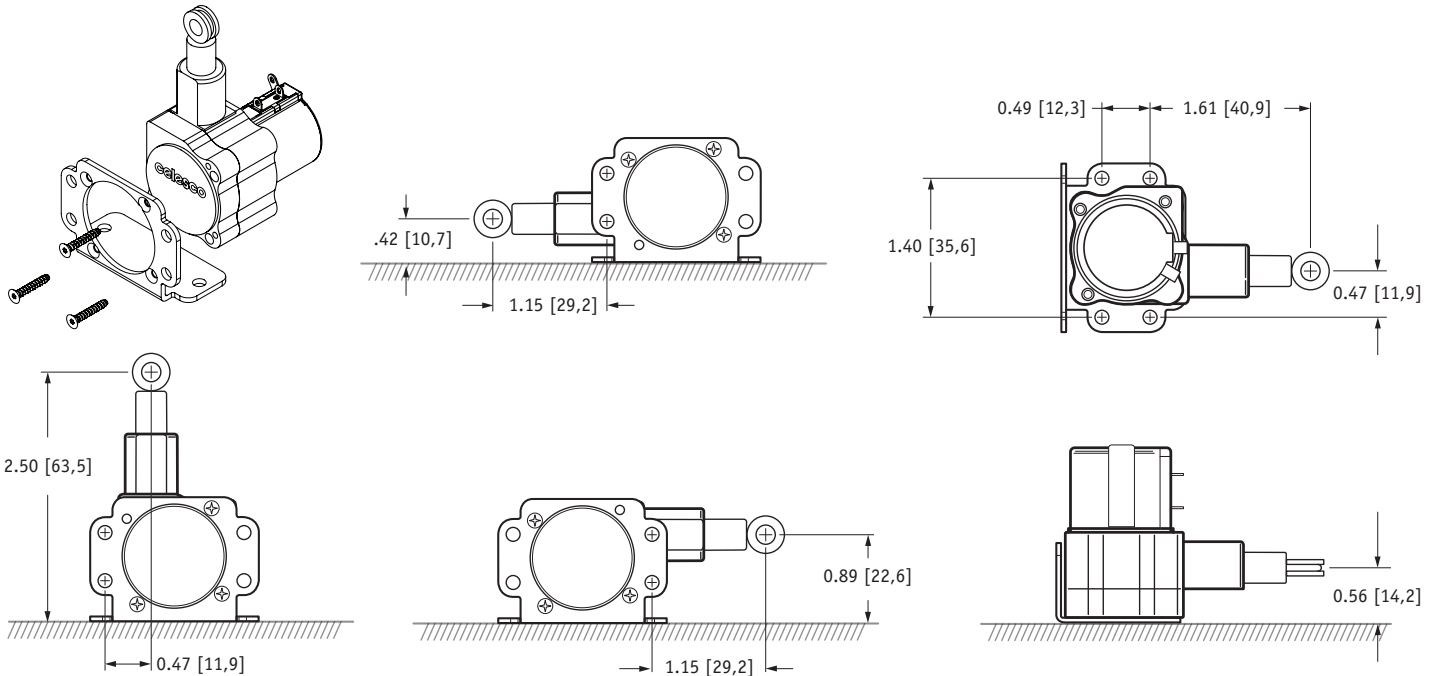


IN [MM]

Fig 3 - Outline Drawing (w/optional Universal Mounting Bracket):



Mounting Options for Universal Mounting Bracket:



The information given herein, including drawings, illustrations and schematics which are intended for illustration purposes only, is believed to be reliable. However, TE Connectivity makes no warranties as to its accuracy or completeness and disclaims any liability in connection with its use. TE Connectivity's obligations shall only be as set forth in TE Connectivity's Standard Terms and Conditions of Sale for this product and in no case will TE Connectivity be liable for any incidental, indirect or consequential damages arising out of the sale, resale, use or misuse of the product. Users of TE Connectivity products should make their own evaluation to determine the suitability of each such product for the specific application.

中国大陆  
西安鑫源宇通电子科技有限公司  
陕西省西安市高新区锦业路70号航  
天恒星园区1号厂房一层南  
Tel: 400-780-9688  
[sales@senstechxyz.com](mailto:sales@senstechxyz.com)

中国香港  
深大实业有限公司  
香港新界沙田安平街6号新贸易  
中心B座13楼06室  
Tel: +86 17792099916  
[info@caltropinstruments.com](mailto:info@caltropinstruments.com)

新加坡  
深大实业有限公司  
香港新界沙田安平街6号新贸易  
中心B座13楼06室  
Tel: +86 17792099919  
[info@senstechxyz.com](mailto:info@senstechxyz.com)