



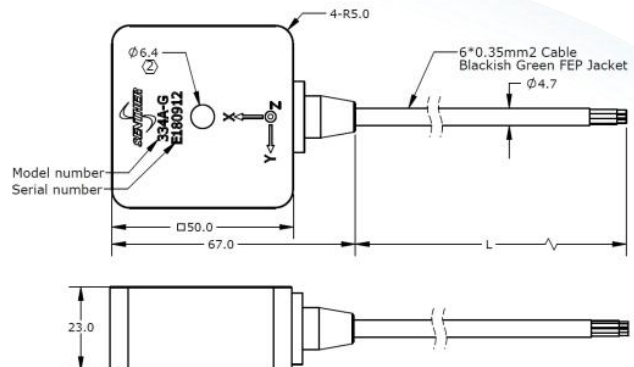
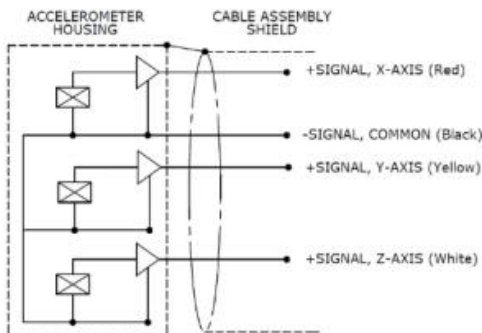
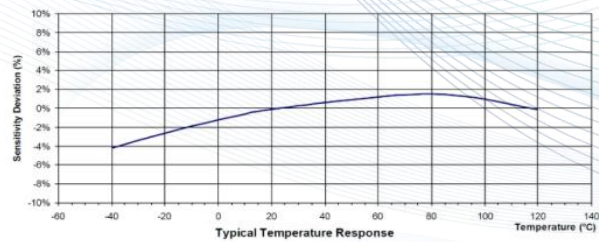
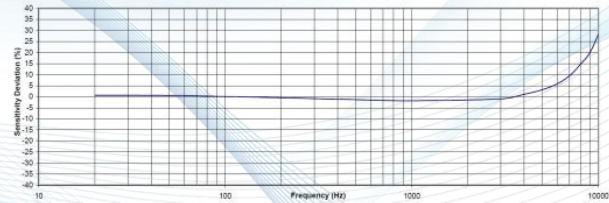
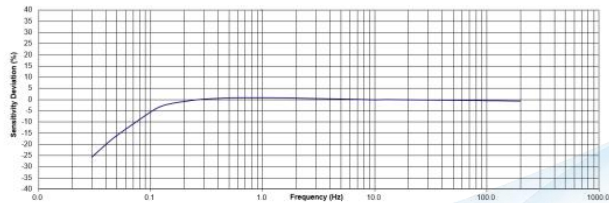
Model Y30AT is a general purpose tri-axial IEPE accelerometer permitting low frequency vibration measurements. Y30AT features an annular shear ceramic crystal which exhibits excellent output stability over time. The accelerometer incorporates an internal circuit with in a two-wire IEPE system which transmits its low impedance voltage output through the same cable that supplies the constant current power. Signal ground is internal shielded and isolated from the outer case of the unit. Polarity inversion protection for the amplify circuit is inherent in the circuit design. The welded stainless-steel construction provides a hermetic housing. Integrated cable provides long-term reliable performance over the operating temperature range. In addition to adhesive mounting, Y30AT offer  $\varnothing 6.4$  central through holes for screw mounting on the test object, cable outgoing direction can be discretionary for install convenience. The Y30AT provides low frequency response and shock resistance, which is ideal for high structure vibration monitoring under incidental shock environment.

## Features:

- Central hole mounting
- Low frequency response
- Tri-axial output
- High sensitivity
- Hermetic seal
- EMI / RFI shielded

## Application:

- High speed train
- Heavy-duty bearing
- High structure monitoring



## Specification:

Dynamic Performance	Unit	5-LF	10-LF	20	50	500
Measurement Range	g	5-LF	10-LF	20	50	500
Sensitivity±10%	mV/g	1000	500	250	100	10
Frequency Range ±10%	Hz	0.3~4000	0.3 ~ 4000	1 ~ 6000	1~ 6000	1~ 6000
Frequency Range ±3dB	Hz	0.1~6000	0.1 ~ 6000	0.5 ~ 8000	0.3~8000	0.3~8000
Resonant Frequency	kHz	20	20	32	32	32
Transverse Sensitivity	%	<5				
Non-Linearity	% FSO	±1				
Shock Limit	g	2000	2000	5000	5000	5000

### Environmental Parameters

Temperature Sensitivity Coefficient -55 ~ +125°C	%/°C	±10				
Operating And Storage Temperature	°C	-40~125				
Bias Voltage	Vdc	10 ~ 14				

### Electrical Characteristics

Output Impedance	Ω	< 100				
Case Insulation	MΩ	> 100				
Excitation Voltage	Vdc	18 ~ 30				
Excitation Current	mA	2 ~ 10				

### Physical Properties

Weight (Cable Not Included)	Grams	367	367	360	360	360
Mounting Torque	lb-in (N-m)	2.2 (19.5)				
Housing Material	Stainless Steel 316L					
Humidity	Hermetically Sealed					
Protection Grade	IP67					

### Random Accessories

HS025	M6x35 Hexagonal Screw	1pc Included
HS026	¼-28x1¼ Hexagonal Screw	
AM003	3 Channel IEPE Signal Conditioner	Optional
AM004	Portable Vibration Analyzer	Optional
AM005	8 Channels Data Acquisition System	Optional

## Ordering information:

Y30AT

LF

ZZZ

Range

0005=5g

0010=10g

0020=20g

0050=50g

0500=500g

LF=Low frequency

Output Signal

A=IEPE Output

E.G :

Y30AT-50

Model Y30AT, 0050, Connector, No Options

Y30AT-50A

Model Y30AT, 0050, Connector, IEPE

The data contained in this document is intended for the use of technical trainers only.

The customer's technical department is responsible for assessing the suitability of the product for the intended application and the completeness of the product information given in this document in relation to such application. For further information on products, technology, terms and conditions of delivery and prices, please contact our nearest office ([www.senstechxyz.com](http://www.senstechxyz.com)).

中国大陆

西安鑫源宇通电子科技有限公司

陕西省西安市高新区锦业路70号航

天恒星园区1号厂房一层南

Tel: 400-780-9688

[sales@senstechxyz.com](mailto:sales@senstechxyz.com)

中国香港

深大实业有限公司

香港新界沙田安平街6号新贸易

中心B座13楼06室

Tel: +86 17792099916

[info@caltropinstruments.com](mailto:info@caltropinstruments.com)

新加坡

深大实业有限公司

香港新界沙田安平街6号新贸易

中心B座13楼06室

Tel: +86 17792099919

[info@senstechxyz.com](mailto:info@senstechxyz.com)



西安鑫源宇通电子科技有限公司 | 400-780-9688

[www.senstechxyz.com](http://www.senstechxyz.com)

鑫源宇通——专业的传感和系统解决方案供应商

The contents of this manual may be updated from time to time due to product version upgrades or other reasons.

Unless otherwise agreed, this manual is intended as a guide to use only, and all statements, information and recommendations in this document do not constitute any warranty, express or implied.