

# YPi-V3

## Yaw Pitot pressure & temperature sensor

### Differential Pressures

Range	-50 to +50 or -76 to +76 mbar
Accuracy	±1 % FS
Resolution	0.01 mbar
Non-linearity / Hysteresis	±0.3 % FS
Max thermal drift	±0.5 % FS
Sampling freq.	200 Hz

### Static (atmospheric) pressure

Range	600 to 1200 mbar
Accuracy	±3 mbar
Resolution	0.01 mbar
Sampling freq.	25 Hz

### Air Temperature

Range	+5 to -85°C
Accuracy	±1°C
Resolution	0.1°C
Sampling freq.	25 Hz

### Board Temperature

Range	+5 to +105°C
Accuracy	±0.3°C
Resolution	0.1°C
Sampling freq.	25 Hz

### Yaw Angle

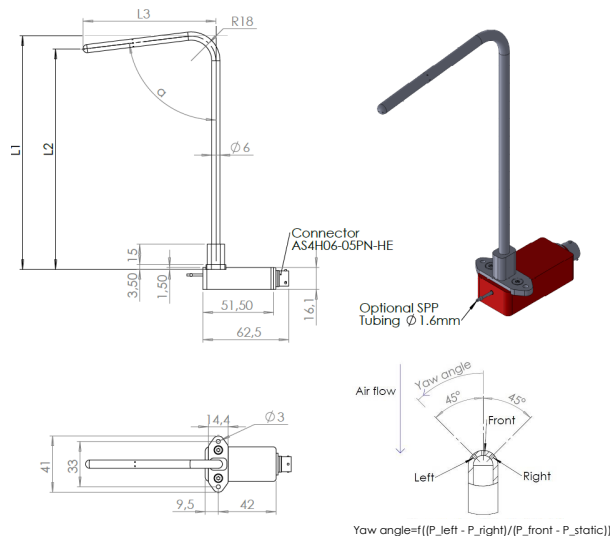
Range	-40 to +40°
Typical accuracy at 1Hz	±2 (from -25° to +25°) ±4 (from ±25° to ±40°)

Mating connector: ASL606-05SN-HE

Pin	Function
1	Supply
2	0V
3	CAN Low
4	CAN High
5	Reserved

Supply voltage	6 to 16V
Supply current	25 mA
Output	CAN Bus 2.0A or B
Dimensions	See drawing
Weight (with cable)	115 g (for 150mm tube) 128 g (for 300mm tube)
Vibration test	20 Gpp 5'
Shock	500 G
Box protection	IP64

Operating temp	+5 to +85°C
Storage temp	-40 to +125°C



Ordering ref.:

YAW PITOT V3 - Range(mbar) - L(mm)/L(°) - SPP

50	150/90
76	300/90
	200/80

Optional output static pressure port

Ex: YAW PITOT V3 - 76 - 150/90